

OK

In Car Video

IVTV-01

Bedienungs- und Einbauanleitung
Operating and installation instructions
Notice d'emploi et de montage
Istruzioni d'uso e di installazione
Gebruiksaanwijzing en inbouwhandleiding
Bruks- och monteringsanvisning
Instrucciones de manejo e instalación
Instruções de serviço e de montagem
Betjenings- og monteringsvejledning



<http://www.blaupunkt.com>

 **BLAUPUNKT**

CONTENTS

Safety notices	15
Notes on installation and operation	16
Tuner connection	16
Remote control	18
Functions	19
Switching on the TV tuner	19
Switching off the TV tuner	19
Selecting TV/CATV/AV1/ AV2 mode	19
Programming the TV/CATV channel	20
Detecting the input signal	20
Channel selection	20
AV output	21
Connection options	21
Installation	22
Diversity antenna system	22
Safety circuit	24
Accessories	25
Specifications	25

Thank you for choosing a Blaupunkt product. We hope you enjoy using this new piece of equipment.

Please read these operating instructions before using the equipment for the first time.

The Blaupunkt editors are constantly working on making the operating instructions clearer and easier to understand. However, if you still have any questions on how to operate the equipment, please contact your dealer or the telephone hotline for your country. You will find the telephone numbers printed at the back of this booklet.

We provide a manufacturer guarantee for our products bought within the European Union. You can view the guarantee conditions at www.blaupunkt.de or ask for them directly at:

Blaupunkt GmbH
Hotline
Robert-Bosch-Str. 200
D-31139 Hildesheim

Safety notices

Please observe the following safety notices during installation and whilst making the connections.

- Disconnect the negative and positive terminals of the battery.
- When doing so, please observe the safety notices provided by the vehicle manufacturer.
- Before drilling the holes necessary for mounting the equipment and for laying cables, please make sure that concealed cables, the fuel tank and fuel lines cannot be damaged in the process!

Notes on installation and operation

Tuner connection

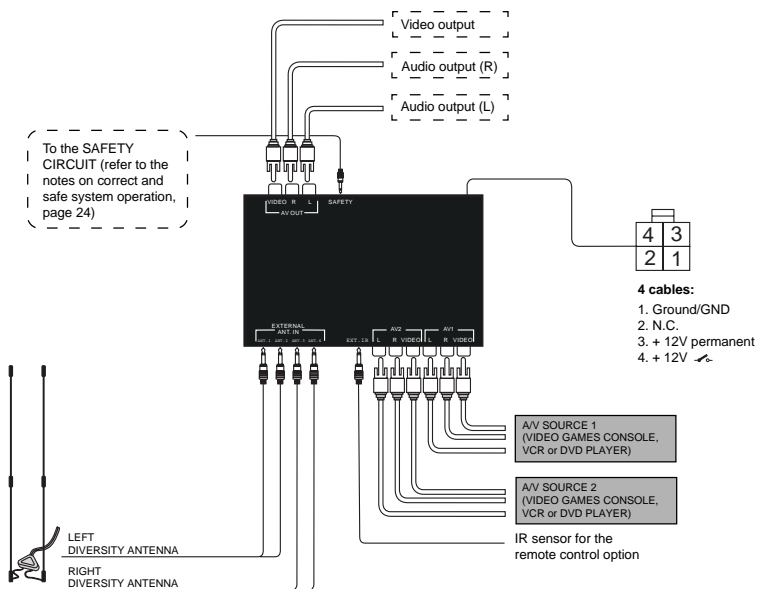
- The tuner must first be installed in a suitable location. You must make sure that the device is fixed securely in place and that it is not subjected to moisture or dirt. You must not lay the connecting cables in a way that could cause the vehicle passengers to get inadvertently caught up in them and rip them out.
- Please note that the tuner must not be positioned near heat sources (e.g. heating, direct sunlight) since this could result in faulty behaviour as a result of excess temperature.
- Connect all of the tuner's audio, video and power supply connections (see connection diagram in the following picture) that you need for your system installation. When positioning the infrared sensor, make sure there are no objects positioned between the sensor and the place where you usually keep your remote control, since they could interfere with the transmission of the infrared signal.

Note:

The following diagram shows all of the tuner's connection options. Your car system's connections do not necessarily have to be exactly the same as this.

NOTES ON INSTALLATION AND OPERATION

Tuner connection



NOTES ON INSTALLATION AND OPERATION

Remote control

MUTE

Pressing this button switches off the sound of the monitor system.

TV ON/OFF

For switching on the television.

Group of TV related buttons.

Channel selection buttons

If you press one of these buttons, the tuner changes TV channels.

AV/TV

You can use this switch to select the available video and audio inputs and/or TV channels.

MON ON/OFF

For switching on the monitor.

UP/DOWN

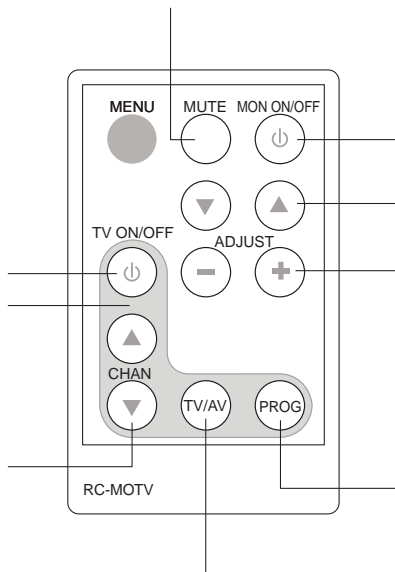
For selecting items in the OSD menu.

-/+

Volume control for the monitor loudspeaker.

Auto Program

Pressing this button causes the tuner to scan and store all the available stations.



Functions

The supplied remote control is suitable for operating the TV tuner IVTV-01 as well as the ceiling mounted monitor IVMR-7001.

The area on the remote control that is surrounded by a border contains controls that apply to the TV tuner.

Switching on the TV tuner

To switch on the TV tuner, press the TV ON/OFF button.

Switching off the TV tuner

To switch off the TV tuner, press the TV ON/OFF button again.

Selecting TV/CATV/AV1/AV2 mode

You can use the TV/AV button to switch between the channel/input options TV, CATV, AV1 and AV2.

System	TV	Cable TV (CATV)
PAL/BG	Cable TV channels 2 – 69	Cable TV channels 1 – 57

Input source	Description
AV1	External audio/video input 1
AV2	External audio/video input 2

FUNCTIONS

Programming the TV/CATV channel

You can use the PROG button to store the channels that you want for CATV or for the VHF/UHF range. If you press the PROG button, the tuner starts searching for channels and stores all the received channels. The "AUTO" status is indicated in the bottom left of the monitor whilst automatic programming is being carried out.

The system stores TV and CATV channels in different memory locations.

This function is only available in TV or CATV operating modes.

Note:

If you want to cancel automatic programming, press the CHANNEL button. Generally, however, you should NOT interrupt automatic programming or else not all of the channels can be stored.

Detecting the input signal

The tuner system automatically detects whether a signal is being received and/or whether a signal can be received in every signal input mode or not. If it does not detect a signal, the "No Signal" status is indicated. If a signal is received, a corresponding display appears immediately.

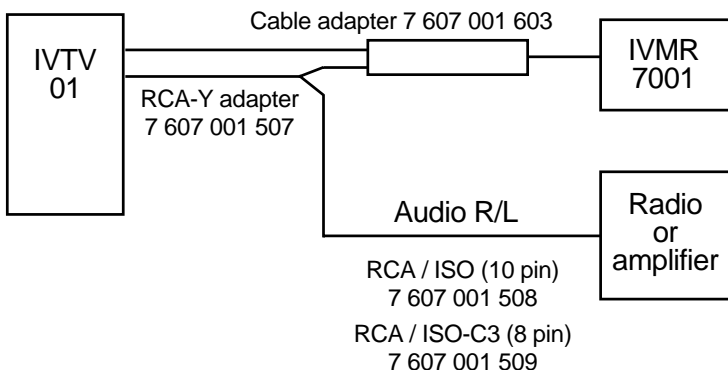
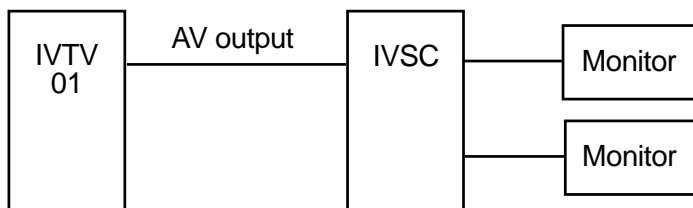
Channel selection

You can select the channel you require using the two ▼ and ▲ CHANNEL buttons. If the channels were stored using the automatic programming feature, you can switch between the programmed channels using these buttons. If you keep one of the buttons pressed down, you can move through the programmed channels one by one.

AV output

This connection option is used for sending the audio signal directly to the car sound system. In order to use this option, the car sound system must be equipped with an AUX input. The video output is used to connect additional video screens and it only outputs the video signal.

Connection options



INSTALLATION

Installation

Diversity antenna system

The Diversity antenna system that is integrated in the tuner has been specially developed for mobile applications and ensures optimum signal reception.

a. Installation

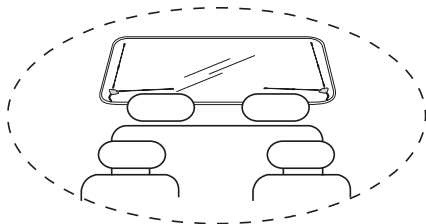
Remove the protective covering from the antenna foot and secure the adhesive foot to the required position (the surface to which it is stuck must be free from dust and grease).

b. Adjusting the angle

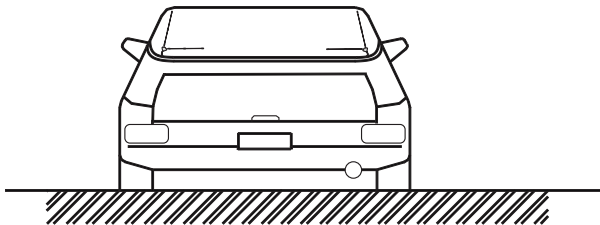
In order to achieve optimum reception quality, adjust the position of the antenna so that (if possible) one rod is aligned horizontally and one rod vertically.

c. Installation notes

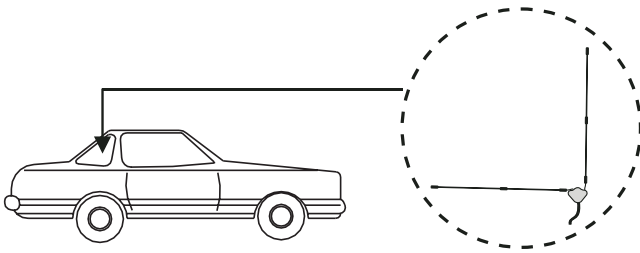
- Installation on the rear window



- Installation on the windscreen

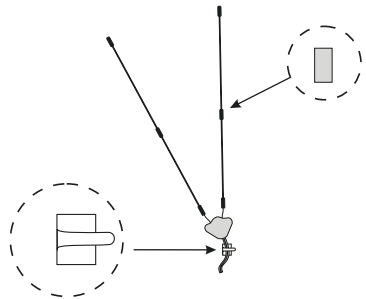


- Installation on the side window

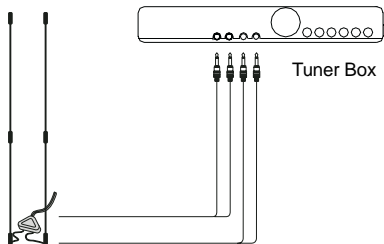


- Antenna attachment

The supplied adhesive strips for the antenna achieve optimum adhesion after approx. 24 hours. You must not re-use adhesive strips once you remove them from the window. If you want to re-install the antenna, you can use the supplied replacement adhesive strip, which can be cut to size with scissors.



- Connection of the antenna to the tuner box

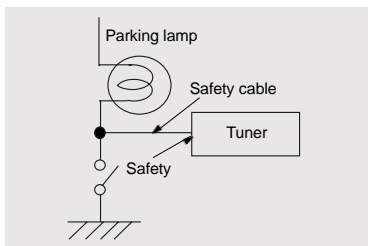
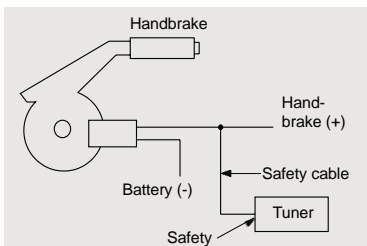


INSTALLATION

Safety circuit

The tuner module has been fitted with a safety circuit to ensure safe TV operation. The supplied accessory components include a special safety cable. **If the safety system is installed correctly, you can only activate TV operating mode if the vehicle handbrake is on.** The schematic diagrams below provide information on how to install the system. If you require additional assistance, please contact your dealer.

TV/AV selection	Function of the safety circuit	
	Vehicle is moving	Vehicle is stationary
TV IN	Monitor off	Monitor on
AV IN	Monitor off	Monitor on



ACCESSORIES AND SPECIFICATIONS

Accessories

IR cable	1
AV cable	
Electrical cable	
Safety cable	
Remote control with battery	
Operating instructions	

ENGLISH

Specifications

AV input	2 x AV RCA
AV output	1 x AV RCA
TV channels	see page 19
Dimensions (W x H x D)	182 x 27.4 x 134 mm
Weight	640 g
Supported system	PAL/BG
Visible-type fuse	3 amps
Operating temperature	0° C to +60° C
Storing temperature	-20° C to +70° C
Operating voltage	10 V to 16 V
Current consumption approx.	1 A (TV mode), 0.76 A AV mode
Quiescent current consumption	< 1 mA
Video input/output impedance	75 ohms
Audio input/output impedance	620 ohms
Video in/out amplification	0 dB / 75 ohms
Audio in/out amplification	0 dB / without load

Subject to changes!

Service-Nummern / Service numbers / Numéros du service après-vente / Numeri del servizio di assistenza / Servicenummers / Telefonnummer för service / Números de servicio / Números de serviço / Servicenumre

Country:	Phone:	Fax:	WWW:
Germany	(D) 0180-5000225	05121-49 4002	http://www.blaupunkt.com
Austria	(A) 01-610 390	01-610 393 91	
Belgium	(B) 02-525 5454	02-525 5263	
Denmark	(DK) 44 898 360	44-898 644	
Finland	(FIN) 09-435 991	09-435 99236	
France	(F) 01-4010 7007	01-4010 7320	
Great Britain	(GB) 01-89583 8880	01-89583 8394	
Greece	(GR) 210 57 85 350	210 57 69 473	
Ireland	(IRL) 01-4149400	01-4598830	
Italy	(I) 02-369 6331	02-369 6464	
Luxembourg	(L) 40 4078	40 2085	
Netherlands	(NL) 023-565 6348	023-565 6331	
Norway	(N) 66-817 000	66-817 157	
Portugal	(P) 01-2185 00144	01-2185 11111	
Spain	(E) 902-120234	916-467952	
Sweden	(S) 08-7501500	08-7501810	
Switzerland	(CH) 01-8471644	01-8471650	
Czech. Rep.	(CZ) 02-6130 0441	02-6130 0514	
Hungary	(H) 01-333 9575	01-324 8756	
Poland	(PL) 0800-118922	022-8771260	
Turkey	(TR) 0212-3350677	0212-3460040	
USA	(USA) 800-2662528	708-6817188	
Brasil (Mercosur)	(BR) +55-19 3745 2769	+55-19 3745 2773	
Malaysia (Asia Pacific)	(MAL) +604-6382 474	+604-6413 640	

Blaupunkt GmbH