



In Car Video

IVDP-01

Bedienungs- und Einbauanleitung
Operating and installation instructions
Notice d'emploi et de montage
Istruzioni d'uso e di installazione
Gebruiksaanwijzing en inbouwhandleiding
Bruks- och monteringsanvisning
Instrucciones de manejo e instalación
Instruções de serviço e de montagem
Betjenings- og monteringsvejledning



<http://www.blaupunkt.com>

 **BLAUPUNKT**

TABLE OF CONTENTS

General	36	The RESET button	50
Safety instructions	36	Flashing LED	50
Functions	38	On-screen display function	51
About discs	38	Multiple language audio function	52
Fitting	40	MENU function	52
DIN front fitting		Multilingual subtitles (DVD only)	52
(Method A)	41	Multi-angle function (DVD only)	53
DIN rear fitting		MP3 disc replay	53
(Method B)	42	Special functions	53
Removable front cover	43	Initial setup	55
Electrical connections	45	Setup - main screen	55
Remote control	46	General setup	56
Main functions	48	Loudspeaker setup	60
Inserting a DVD/VCD/CD	48	Dolby setup	60
Removing a disc	48	Recommended settings	62
		Technical Data	67

General

Thank you for deciding to use a Blaupunkt product. We hope you enjoy using this new piece of equipment.

Please read these operating instructions before using the equipment for the first time.

The Blaupunkt editors are constantly working on making the operating instructions clearer and easier to understand. However, if you still have any questions on how to operate the equipment, please contact your dealer or the telephone hotline for your country. You will find the hotline telephone numbers printed at the back of this booklet.

We provide a manufacturer guarantee for our products bought within the European Union. You can view the guarantee conditions at www.blaupunkt.de or ask for them directly at:

Blaupunkt GmbH
Hotline CM/PSS 6
Robert-Bosch-Str. 200
D-31139 Hildesheim
Germany

Please note (RESET):

Before initial operation, the RESET button (27) must be pressed (see page 48) !

In traffic

Adjust the volume to a level that does not distract your attention from the road.

Car washing

Never expose the product to water or very damp conditions, as this can result in short circuits, fire or other damage.

Parking

Avoid leaving your car exposed to strong sunshine, as this can cause very high temperatures to develop inside. Allow the inside of your car to cool down before switching the equipment on.

Correct power supply

This equipment is designed for operation from a 12 Volt DC battery system with a negative ground connection (the usual system in US vehicles).



Protecting the disc mechanism


Never insert any foreign objects into the player's opening, as this can easily damage the delicate mechanical parts inside the equipment.

Servicing by an authorised Service Centre

Do not attempt to dismantle this precision equipment or to repair it yourself. Please have the equipment serviced at one of the Service Centres on the list included with this product.

Release panel

 Risk of injury! Please make sure that the release panel is always closed. After removing a CD, the release panel does not close automatically. To close the release panel, insert a new CD or press the  button. The release panel's protruding parts could cause injury.

 Risk of injury! Never detach the release panel whilst the control panel is opened out. The protruding metal parts of the release panel's holder fitting could cause injury.

Fitting

Mount the equipment so that it has a horizontal orientation. For convenience, the front may be tilted upwards at an angle of at most 30°.

WARNING:

The mobile DVD player is a Class I laser product generating a visible or invisible laser beam of a potentially hazardous type. The mobile DVD player must only be operated in accordance with the specified instructions. The use of operating elements, adjustment options or functions that are not described in this handbook can result in exposure to hazardous radiation.

Never open the housing, and do not attempt to perform repairs yourself. Any servicing should be carried out by trained personnel.

Warning:

- Minimise the risk of fire or the danger of electrical shock by never exposing this equipment to water or moisture.
- Only use recommended accessories. This will again reduce the risk of fire or the danger of electrical shock, and will avoid interference.
- The equipment is designed for continuous operation. The product contains components and uses techniques protected by specific US patents. The intellectual property is owned by the Macrovision Corporation and other patent holders. The use of this protected technology must be approved by the Macrovision Corporation. It is licensed only for private use, or for showing under other limited circumstances, unless approval for other uses has first been granted by the Macrovision Corporation. Reverse engineering or dismantling the equipment are not permitted.

Compatible with PAL DVD (Video CD) and NTSC DVD (Video CD)

You can use this equipment to replay discs that were recorded in either PAL or NTSC-TV format.

All the functions that are important for DVD replay, including an MPEG2 decoder, video D/A converter and audio decoder have been integrated into a single LSI chip designed for this equipment.

There is an analog L/R (RCA) stereo output for connecting existing headphone amplifier inputs. The video output is a mixed video signal (RCA).

Software is included for the multi-function remote control (multilingual audio function/subtitles, multi-angle function), as well as for all the basic functions.

Note:

Horizontal picture interference may occur in connection with 16:9 monitors with NTSC timing.

Region Management Information

Region Management Information: This mobile DVD player has been designed in such a way that Region Management Information stored on a DVD can be used. If the region number assigned to a DVD does not match the region number of the mobile DVD player, the disc cannot be played on this equipment.

The regional code for this product is printed on the label attached to the unit.

Disc formats supported by this player:



DVD

12 cm disc / 8 cm disc
(only discs written on one side)



Video CD

12 cm disc / 8 cm disc



CD

12 cm disc / 8 cm disc

The following discs are not supported by this player:

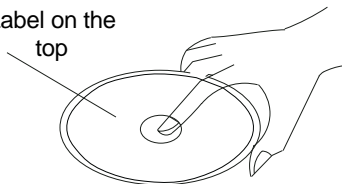
- DVD-ROM
- DVD-R / DVD-RAM
- CD-RAM
- CDV
- CD-G
- Photo CD
- DVDs with a different regional code.

Handling and cleaning

- Dirt, dust, scratches or warped discs can cause incorrect function.
- Do not put any adhesive labels on discs, and avoid scratching them.
- Discs must not be bent.
- Minimise damage by always keeping your discs in their protective envelopes.

- Do not keep discs in any of the following places:
 1. Where there exposed to direct sunshine.
 2. Dirty, dusty or damp locations.
 3. Close to the vehicle's heating system.
 4. On the seats or the instrument panel.

Label on the top



Disc cleaning

Wipe the surface with a soft cloth. If the disc is very dirty, use a soft cloth slightly dampened with isopropyl alcohol. Never use cleaning agents such as petrol, thinner or conventional record cleaner, as these materials can damage the surface of the disc.

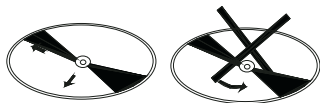
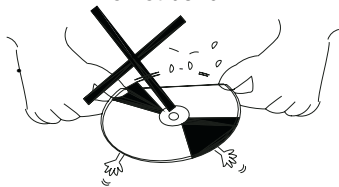
Note:

Depending on how and under what conditions it is handled, the surface of a disc can easily be scratched, although this does not make the disc unusable. Please note that such scratches do not indicate a problem with the player.



Do not touch the bottom of the disc.

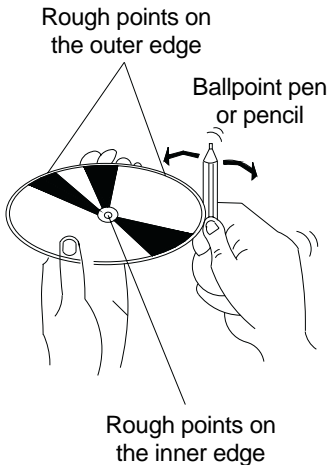
Do not bend.



Always clean the disc from the inside to the outside.

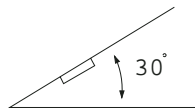
Handling new discs with uneven edges

- The inner and outer edges of a new disc may not be perfectly smooth.
- When a disc with uneven edges is inserted, it may not locate correctly, making it impossible to play.
- Correct these uneven locations before inserting the disc using a pencil or ballpoint pen, as shown here, by running the implement over the inner and outer edges of the disc.



Note:

- Choose a location to fit the equipment where it will not interfere with the driver's ability to control the vehicle.
- Before fitting the equipment into the vehicle, temporarily connect the cables and check that all the connectors mate properly and that the equipment and the system operate correctly.
- To ensure correct fitting, only use the parts supplied with the equipment. The use of non-approved parts can cause incorrect function.
- If fitting requires holes to be drilled or other modifications to be made to the vehicle, take it to a qualified workshop near you.
- Fit the equipment in a location that will not interfere with the driver, and where the occupants of the vehicle will not be put at risk by an abrupt stop, such as hard emergency braking.
- If the equipment is fitted as an angle more than 30° to the horizontal performance may deteriorate.



- Avoid fitting the equipment at locations where the ambient temperature is raised by, for instance, direct sunshine or the car's heating system. Avoid locations where the equipment would be exposed to dust, dirt or heavy vibration.

DIN front/rear fitting

DIN front/rear fitting of this equipment can either be carried out from the front (normal DIN front mounting) or from the rear (DIN rear mounting), using the threaded screw holes in the side of the housing. The exact procedure can be understood from the following assembly diagrams.

DIN front fitting (Method A)

Fitting the equipment

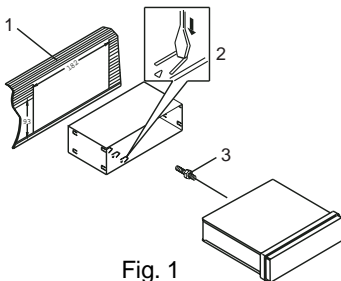


Fig. 1

1. Instrument panel
2. Bracket

When you have inserted the bracket into the instrument panel, choose the appropriate metal jointing bar, according to the thickness of the instrument panel material, and bend it inwards so that it can be fixed to the bracket.

3. Bolt

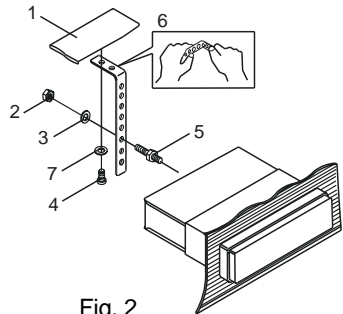


Fig. 2

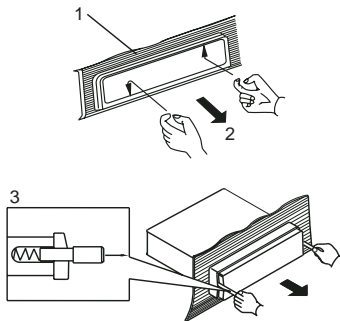
1. Instrument panel
2. Nut (5 mm)
3. Lock washer
4. Bolt (5 x 25 mm)
5. Bolt
6. Fixing angle

Use the fixing angle piece to fix the rear of the equipment at the correct location. The angle piece can be bent to the desired form by hand.

7. Washer

FITTING

Removing the equipment

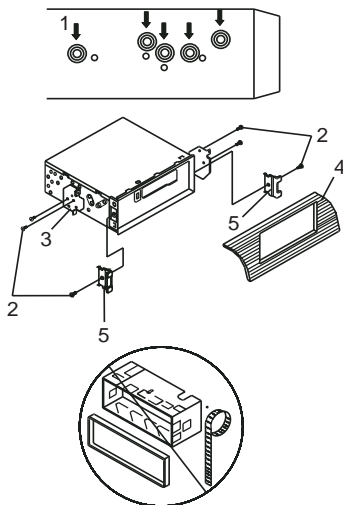


1. Frame
2. Reach with your fingers into the slot at the front of the frame, and pull the frame off. (To replace the frame, put the side that has the slot downwards, and insert it.)
3. Lever

Push the levers supplied with the equipment as shown in the diagram into the slots at both sides of the equipment until they latch. The equipment can be removed from the instrument panel by pulling the levers.

DIN rear fitting (Method B)

Assembly using the threaded holes in the side of the equipment.



Fixing the equipment to the standard radio mounting clip.

1. Locate the main unit in such a way that the screw holes in the clip and threaded holes in the main unit are aligned with one another, and fix the screws at two places on each side.
Use either mushroom-headed screws (5 x 6 mm) or countersunk screws (4 x 6 mm), according to the shape of the screw holes in the clip.

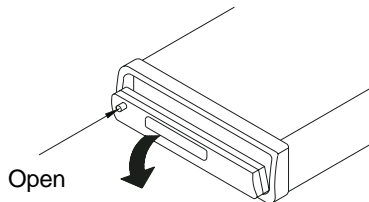
2. Bolt
3. Standard radio mounting clip
4. Instrument panel or fascia
5. Hook (remove this part)

Note:

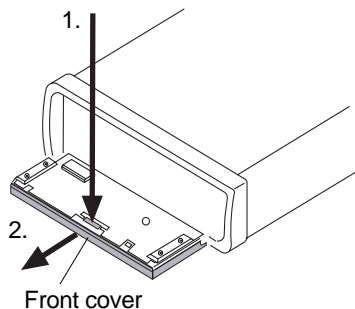
The fitting housing, the outer cladding and the collar are not used for fitting by method B.

The front cover is removed as follows:

1. Press the **OPEN** button, so that the front cover opens.

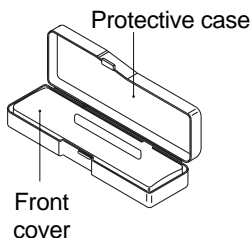


2. Pull off the front cover towards the front of the unit by pressing down on the release zone (release panel).

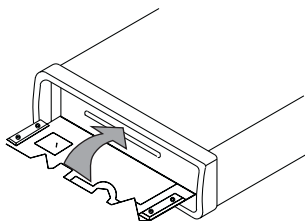


3. Put the front cover in the supplied case for safe keeping as soon as you have removed it.

REMOVABLE FRONT COVER

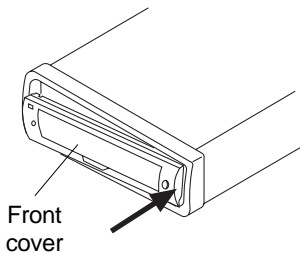


4. Push the front metal plate into the main housing. You will hear a click.



The front cover is replaced as follows:

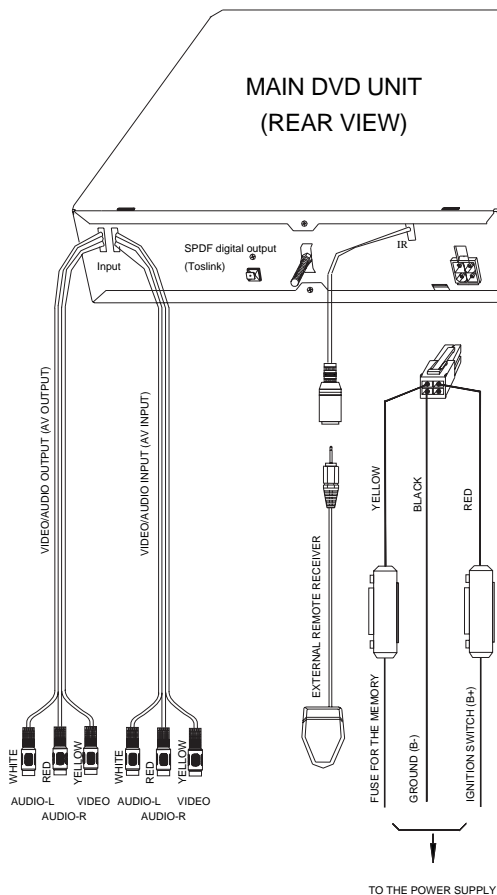
1. First insert the right-hand side of the front cover into the main housing and then push in its left side until you hear it click into place.



2. Note that if the front cover is inserted incorrectly, the operating controls may not function correctly, and that parts of the LCD display may not appear. Press the **OPEN** button, and reinsert the front cover.

Notes on safe handling

1. Take care not to drop the front cover onto the floor.
2. When removing or re-inserting the front cover, do not exert any pressure on the display or on the operating knobs.
3. Avoid touching the contacts on the front cover or on the main housing, as this can interfere with their electrical conductivity.
4. Use a clean, dry cloth to remove dirt or other foreign objects that might adhere to the contacts.
5. Never expose the front cover to high temperatures or to direct sunshine.
6. Make sure that the surface does not come into contact with volatile substances (such as petroleum, thinner or insecticide).
7. Do not attempt to dismantle the front cover.

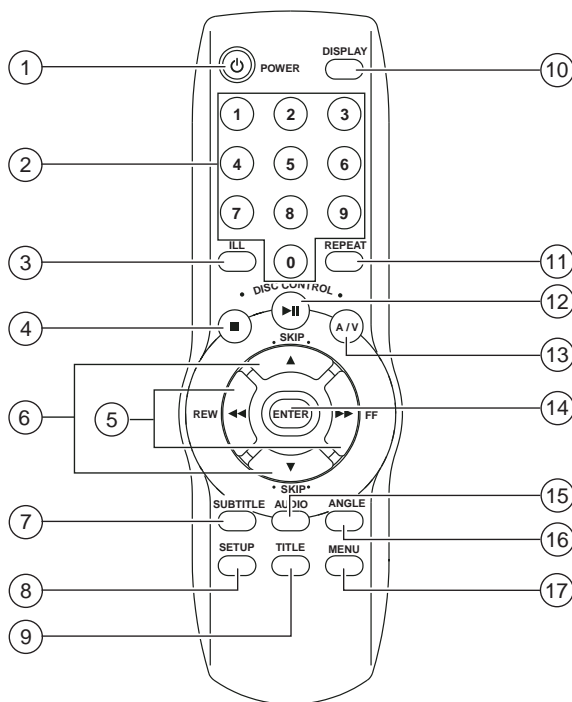


ATTENTION:

The main unit is connected to an external remote receiver, whose function corresponds to that of the remote sensor IR (23) on the front cover.

This remote receiver can be mounted in any convenient location.

REMOTE CONTROL



- ① **POWER**
POWER button for switching the equipment ON or OFF.
- ② **0-9**
Numerical buttons.
- ③ **ILL**
Button for adjusting the brightness of the VFD display.
- ④ **■**
Stop button to finish play.
- ⑤ **◀◀/▶▶**
Fast forward button ▶▶ and fast reverse ◀◀.
- ⑥ **▲/▼**
Button for changing to the start of the next section, ▲, or for returning to the previous section, ▼. In menu mode, these buttons control the cursor.
- ⑦ **SUBTITLE**
Selection of the subtitle on DVD discs with multilingual subtitle functions.
- ⑧ **SETUP**
Call the SETUP menu.

- 9 **TITLE**
Open the TITLE contained in on the DVD disc.
- 10 **DISPLAY**
Button for hiding or displaying the status line during play.
- 11 **REPEAT**
Switch between repeat modes (REPEAT, REPEAT 1 and REPEAT OFF).
- 12 **▶||**
Button for pausing and restarting play.
- 13 **AV**
Switch between DVD player and external AUDIO/VIDEO.
- 14 **ENTER**
Button for confirming sections / chapters selected using the number or cursor buttons in combination with the screen.
- 15 **AUDIO**
Selection of the audio soundtrack on DVDs with multilingual audio functions.
- 16 **ANGLE**
Selection of the camera perspective on DVDs with multi-angle function.
- 17 **MENU**
Display a DVD's main menu.

Note:

The ◀◀/▶▶, DISPLAY and ANGLE keys may also be assigned to special functions (see "Special functions").

Preparing the remote control unit for use

Insert the batteries

1. Open the battery compartment by taking off the cover.
2. Insert the new batteries. Make sure that the positive and negative poles of the battery are positioned as shown inside the battery compartment.
3. Close the battery compartment. Batteries required: two AAA batteries.

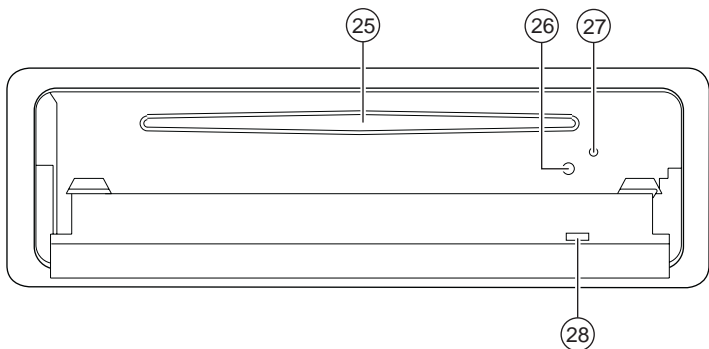
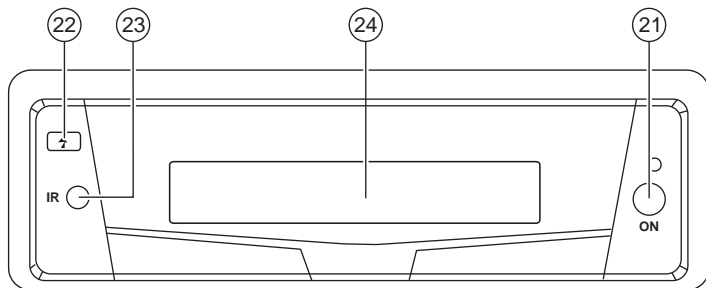
Using the remote control

Point the remote control unit at the infra-red sensor on the front of the player (the receiver for the remote control unit). Working angle: up to about 30° in any direction from the front of the IR sensor.

Note:

Make sure that the connections are made in accordance with the circuit diagram (Page 45) to avoid damaging the equipment.

MAIN FUNCTIONS



Inserting a DVD/VCD/CD

1. Turn the vehicle's ignition key to the ACC position.
2. Press the **ON** button (21).
3. Press the **▶** (OPEN) button (22) so that the front cover opens slowly forward.
4. Insert the disc with the printed side upwards.
5. Replay starts automatically.

Removing a disc

1. Press the **◀** (OPEN) button (22).
2. Wait until the cover has completely opened, then press the **▶** button (28) to eject the disc.
3. Remove the disc and close the front cover.

Stop play

- If the **STOP** button is pressed for a short time, play will be stopped, and if the **PLAY** button is pressed, replay will start again.
- If you press the STOP button twice, the player will stop and return to the first section / chapter.

Fast forward / fast reverse

Press the **FF** ►► and **REW** ◀◀ buttons during play. Each time these buttons are pressed, the speed with which the player is moving forwards or backwards will alter, depending on the type of disc, as follows:

DVD

Normal

Replay → 2x → 4x → 6x → 8x

VCD & CD

Normal

Replay → 1x → 2x → 3x → 4x

Skipping a section

Press the **SKIP** buttons, ▲/▼, during play.

The ▲ button takes you to the next section, while the ▼ button returns to the previous section.

Note:

The ▲ and ▼ buttons may not be active for some VCD 2.0 discs (PBC playback).

Choosing the AV signal

You assign the AV output signal to the external AV input cable or the DVD player with this button.

Pause (still picture)

Press the button ►|| during play. Press the button again to return to normal play.

Repeat

Press the **REPEAT** button to select the repeat mode, as shown here:

REPEAT 1 → REPEAT → REPEAT OFF

DVD/CD

1. In the REPEAT 1 mode, the current section/chapter is continuously repeated.
2. If you have selected the REPEAT mode, the player will repeat all the sections / chapters on the disc.
3. When replay of the last section / chapter of the current disc has completed, the elapsed time is no longer displayed. (If the equipment is in the REPEAT OFF mode, then the VFD display will no longer show REPEAT & REPEAT.)

MAIN FUNCTIONS

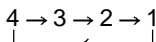
VCD

The REPEAT function is not active for VCD 2.0 (with PBC).

ILL (illumination)

Press the **ILL** button to adjust the illumination of the VFD display in the following sequence.

Brightness levels



Selecting a higher level will increase the brightness of the VFD display.

The RESET button

The **RESET** button (27) is located on the housing, and must be activated with the aid of a ballpoint pen or a thin metal object. It will be necessary to activate the reset button in the following cases:

- **The first time the unit is used after connecting the cable.**
- The function buttons do not operate.
- An error symbol is shown on the display.

Open

Press the **OPEN** button, so that the front cover opens.

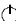
Remote control sensor (IR)

Point the remote control at the IR sensor for receiving the remote control signals.

Flashing LED

The LED display will flash if the front cover is not inserted into the main unit.

Switching the player off

Switch the equipment off using the **ON** button on the front of the cover, or press the corresponding key  on the remote control unit.

On-screen display function

Press the **DISPLAY** button during play in order to show the contents of the inserted disc on the screen.

Examples:

DVD

- 1) Press the **DISPLAY** button once:

TITLE 01/03 CHAPTER
00:02:25

The title number, the total number of titles, the chapter number and the total number of chapters under this title for the disc currently being played are shown on the LCD display along with the elapsed time.

- 2) Press the **DISPLAY** button twice:

TITLE REMAIN
01:46:58

- 3) Press the **DISPLAY** button three times:

CHAPTER ELAPSED
00:00:24

- 4) Press the **DISPLAY** button four times:

CHAPTER REMAIN
00:01:39

- 5) Press the **DISPLAY** button five times:

The information is no longer displayed on the screen.

Video CD/SVCD/CD

Each time the **DISPLAY** button is pressed, the screen display changes according to the following sequence:

SINGLE ELAPSED (current, elapsed time) →

SINGLE REMAIN (current, remaining time) →

TOTAL ELAPSED (total, elapsed time) →

TOTAL REMAIN (total, remaining time) →

OFF

MAIN FUNCTIONS

MP3

Each time the **DISPLAY** button is pressed, the screen display changes as follows:

SINGLE ELAPSED (current, elapsed time) →

OFF

Multiple language audio function

For DVD

Press the **AUDIO** button during play.

Each time the button is pressed the number of the replay language changes in sequence.

Note:

- The language numbers vary from one disc to another.
- Only one replay language is available on some discs.
- An information symbol is displayed in the upper left-hand corner of the screen if no other languages are available.

For VCD/CD

Press the **AUDIO** button during play.

You can choose between stereo and mono playback modes.

Stereo (L&R) → only L → only R



MENU function

TITLE menu

If a DVD contains more than one title, the title with which replay should start can be chosen from the title menu.

1. Press the **TITLE** button during play.
2. Use the cursor buttons to choose a title from the screen, and confirm your choice with the **ENTER** button.

Multilingual subtitles (DVD only)

Press the **SUBTITLE** button during play.

Each time the button is pressed the number of the language for the subtitles changes in sequence.

Note:

- The language numbers vary from one disc to another.
- Only one language is available on some discs.
- An information symbol is displayed in the upper left-hand corner of the screen if no other languages are available.

Multi-angle function (DVD only)

Press the **ANGLE** button during play. Each time the button is pressed the number of the camera perspective changes in sequence.

Note:

- The camera perspective numbers vary from one disc to another.
- This function is only available on discs in which scenes have been recorded from different perspectives.
- The corresponding symbol is displayed in the upper left-hand corner of the screen if no other perspectives are available.

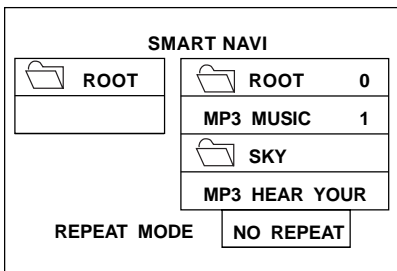
MP3 disc replay

This player is suitable for the following MP3 CD formats:

- 1) Joliet;
- 2) Romeo;
- 3) ISO9660.

When an MP3 disc is played, the format of the folder is definitive.

Example:



Select the menu item or folder using the **▲**, **▼**, **◀◀** and **▶▶** buttons, and confirm your choice with the **ENTER** or **PLAY** button.

A choice between three replay modes can be made by pressing the **REPEAT** button a number of times:

REP-ONE: A single title is played repeatedly.

FOLDER REPEAT: All the titles in the current folder are played repeatedly in the given sequence.

NO REPEAT: All the titles in the current folder are played just once.

Using the **▲** and **▼** buttons during play you can jump onto the next title or return to the previous title.

◀◀: fast rewind, **▶▶**: fast forward.

Note:

It is not possible to select a folder during playback. This can only be done after pressing the **STOP** button.

Special functions

- Volume, colour, contrast and brightness can be adjusted when in stop mode.

ANGLE : Adjustment of volume, colour, contrast and brightness.

◀◀ : louder / stronger

▶▶ : softer / weaker

DISPLAY: return to normal values (except for volume)

MAIN FUNCTIONS

Note:

- 1) The values mentioned above can not be changed for an MP3 disc.
- 2) It is not possible to increase the values beyond the point at which the total of the contrast and brightness values is 29.
- 3) Do not select excessively high values of contrast and brightness.

• AV switch

The AV switch is used to change over between the DVD player and external audio/video.

Push the plug on the external AV cable into the AV input socket on the DVD player.

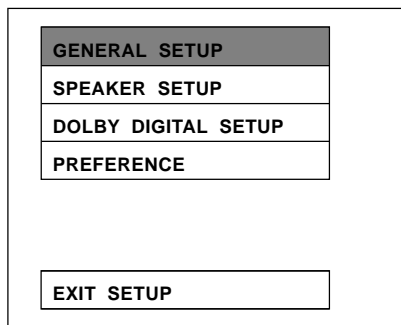
Then press the **AV** button to switch over to external AV.

By pressing the **AV** button again you return to the DVD equipment's AV.

Note:

- 1) Insert the disc into the player after the equipment has been switched over to external AV. As soon as the disc has been identified, the equipment selects the replay mode, and switches automatically to the DVD equipment's AV output.
- 2) If you switch over to external AV during play, playback will be interrupted. On switching over to the DVD player's AV, replay will start automatically.

Setup - main screen



1. Press the **SETUP** button while the equipment is in stop mode. (Press the **STOP** button twice to be certain that the equipment is in stop mode.)
2. The INITIAL SETUP menu will be displayed.
3. Use the **▲/▼** buttons to choose the desired menu item.
4. Press the **ENTER** button.

a) General setup

On this general setup page you will find all the menu items for the video and audio output.

You will find further information under the **General Setup** menu.

b) Loudspeaker setup

You can activate the audio output from the DOLBY AC3 5.1 DOWNMIX for 2-channel mode here.

You will find further information under the **Loudspeaker Setup** menu.

c) Dolby setup

This setup page contains all the DOLBY DIGITAL options.

You will find further information under the **Dolby Setup** menu.

d) Recommended settings

This setup page includes the full configuration of the support function.

You will find further information under the **Recommended Settings** menu.

Dolby Digital

Manufactured under licence from Dolby Laboratories.

“Dolby” and the double-D symbol are trademarks of Dolby Laboratories.

Confidential unpublished work.

© 1992-1997 Dolby Laboratories, Inc.
All rights reserved.

GENERAL SETUP

General setup

TV DISPLAY	NORMAL / PS
TV TYPE	NORMAL / LB
PIC MODE	WIDE
ANGLE MARK	
OSD LANG	
SPDIF	
CAPTIONS	
MAIN PAGE	

TV DISPLAY setup

You can choose the appropriate picture format here (4:3 or 16:9) according to the picture format of the connected TV.

NORMAL/PS (for TV format 4:3)

Replay in PAN & SCAN format. (The side edges are cropped when used with a widescreen TV.)

NORMAL/LB (for TV format 4:3)

Replay in letterbox format. (When used with a wide screen television, the upper and lower edges of the screen will be black.)

WIDE (for TV format 04:09:00 PM)

Choose this option if a TV with a widescreen format is connected.

Video Material	TV Screen			
	4:3			Wide(16:9)
	Normal	Pan Scan	Letter-box	
4:3				
16:9				

General setup

TV DISPLAY	
TV TYPE	PAL (USA:NTSC)
PIC MODE	NTSC
ANGLE MARK	PAL
OSD LANG	
SPDIF	
CAPTIONS	
MAIN PAGE	

TV DISPLAY	
TV TYPE	
PIC MODE	AUTO
ANGLE MARK	HI-RES
OSD LANG	N-FLICKER
SPDIF	
CAPTIONS	
MAIN PAGE	

Setting the TV TYPE

You can use this player to replay discs that were recorded either in PAL or in NTSC format.

Choose NTSC if the equipment is connected to a TV that requires NTSC coded signals.

Choose PAL if the equipment is connected to a TV that requires PAL signals.

If you choose the PAL (USA : NTSC) option, the output format will be the same as that of the disc.

Setting the PIC (picture) MODE

Choose the AUTO option. The player's PIC mode depends on the configuration of the or DVD disc.

The HI-RES ensures the best picture resolution.


Choose the N-FLICKER option for images with audio effects.

GENERAL SETUP

General setup

TV DISPLAY	
TV TYPE	
PIC MODE	
ANGLE MARK	ON
OSD LANG	OFF
SPDIF	
CAPTIONS	
MAIN PAGE	

Setting the ANGLE MARK display

If set to ON, the angle signal  will appear on the screen when a multi-angle DVD disc is played. The signal is not displayed if OFF is chosen.

TV DISPLAY	
TV TYPE	
PIC MODE	
ANGLE MARK	
OSD LANG	ENGLISH
SPDIF	CHINESE
CAPTIONS	
MAIN PAGE	

Setting the OSD LANG (language)

Use the ▲/▼ buttons to choose the language for the screen display.

General setup

TV DISPLAY	
TV TYPE	
PIC MODE	
ANGLE MARK	
OSD LANG	
SPDIF	ON
CAPTIONS	OFF

MAIN PAGE

SPDIF setting

Choose whether the SPDIF video output is ON or OFF.

TV DISPLAY	
TV TYPE	
PIC MODE	
ANGLE MARK	
OSD LANG	
SPDIF	
CAPTIONS	ON
	OFF

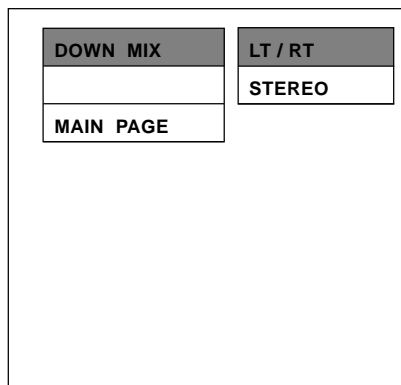
MAIN PAGE

CAPTIONS

Activate the CAPTIONS function by choosing ON, and deactivate it again by selecting OFF.

GENERAL SETUP

Loudspeaker setup

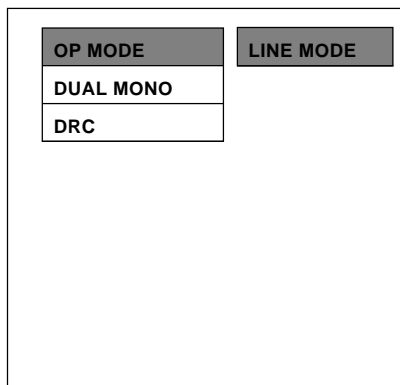


You can activate the audio output from the DOLBY AC3 5.1 DOWNMIX for 2-channel mode here.

Use the cursor keys to select the desired LOUDSPEAKER connection.

- Selection of LT/RT to activate the compatible Dolby Surround output.
- Selection of STEREO to activate the standard stereo mode.

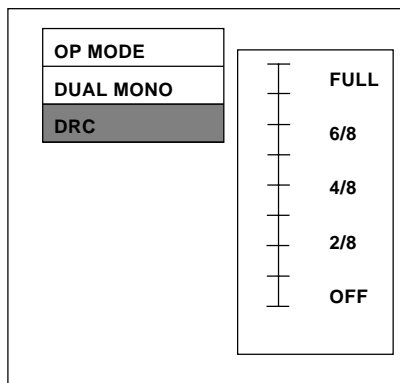
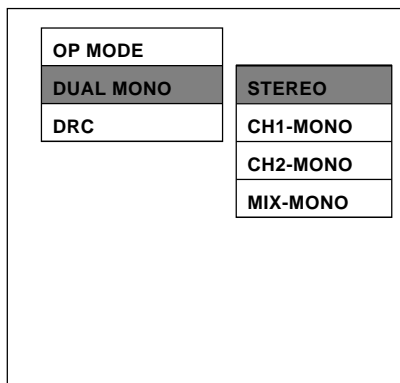
Dolby setup



OPERATING MODE

The Dolby Digital decoder only has one operating mode: LINE OUTPUT.

Dolby setup



DUAL MONO

Dual mono replay is only available for Dolby digital programmes with 1+1 audio code mode.

- Stereo replay 1+1 programme CH1 for the left-hand channel, CH2 for the right hand channel.
- CH1 mono replay CH1 in both outputs (left/right).
- CH2 mono replay CH2 in both outputs (left/right).
- Mix mono replay CH1+CH2 in both outputs (left/right).

DRC - DYNAMIC RANGE CONTROL

Select DRC and adjust the dynamic range of a Dolby Digital coded programme. Eight levels of adjustment are available from full compression down to compression switched off.

GENERAL SETUP

Recommended settings

LANGUAGE	ENGLISH
SUBTITLE	FRENCH
DISC MENU	SPANISH
LOCALE	CHINESE
PARENTAL	JAPANESE
PASSWORD	
DEFAULT	

MAIN PAGE

LANGUAGE selection

Use the cursor buttons to choose the desired replay language.

LANGUAGE	
SUBTITLE	ENGLISH
DISC MENU	FRENCH
LOCALE	SPANISH
PARENTAL	CHINESE
PASSWORD	JAPANESE
DEFAULT	

MAIN PAGE

Language selection for SUBTITLES

Use the cursor buttons to choose the language in which the SUBTITLES should be given.

Recommended settings

LANGUAGE	
SUBTITLE	
DISC MENU	ENGLISH
LOCALE	FRENCH
PARENTAL	SPANISH
PASSWORD	CHINESE
DEFAULT	JAPANESE

MAIN PAGE

Language selection for the DISC MENU

Use the cursor buttons to choose the desired language for the disc menu.

LANGUAGE	
SUBTITLE	
DISC MENU	CHINA
LOCALE	FRANCE
PARENTAL	HONG KONG
PASSWORD	JAPAN
DEFAULT	TAIWAN
	GBR
	USA

MAIN PAGE

LOCALE

Use the cursor keys to select the desired LOCALE. The player will make the appropriate settings in accordance with this choice are (e.g. SUBTITLES, LANGUAGE SELECTION and so on).

GENERAL SETUP

Recommended settings

LANGUAGE	1 G
SUBTITLE	3 PG
DISC MENU	4 PG 13
LOCALE	6 PG-R
PARENTAL	7 NC-17
PASSWORD	8 ADULT
DEFAULT	NO PARENTAL

MAIN PAGE

LANGUAGE	
SUBTITLE	
DISC MENU	
LOCALE	
PARENTAL	
PASSWORD	CHANGE
DEFAULT	

MAIN PAGE

PARENTAL CONTROL FUNCTION

Use the cursor buttons to select the desired parental control level, and confirm it by pressing the ENTER button.

PASSWORD

Select the CHANGE option, and confirm your choice with the ENTER button. Enter the old password (the password/secret code is pre-set by the factory to 3308), and then enter a new, four-figure password/secret code. Enter the password/secret code again as confirmation. Make sure that you repeat your entry correctly.

Recommended settings

LANGUAGE	
SUBTITLE	
DISC MENU	
LOCALE	
PARENTAL	
PASSWORD	
DEFAULT	RESET

MAIN PAGE

Factory settings (RESET)

Choose the RESET button option to return the equipment to the factory settings.

GENERAL SETUP

DEFAULT	GENERAL SETUP	TV DISPLAY	NORMAL / PS
		TV TYPE	PAL (USA:NTSC)
		PIC mode	AUTO
		Angle mark	ON
		OSD LANGUAGE	ON
		SPDIF	ON
	Speaker Setup		
	Dolby Digital Setup		
	Preference	Language	English
		Subtitle	English
		DISC menu	English
		Locale	
		Parental	
		Password	3308

Operating voltage:

+12 V (11 V-16 V), test voltage 14.4 V,
negative earth

Current consumption:

Less than 2.0 A

Operating temperature:

-15° C to +60° C

Signal system:

Mixed video signal 1.0 Vp-p, 75 Ω RCA
socket

Supported disc types:

1. DVD-VIDEO discs
 - 5" (12 cm) single sided, single
layer
 - 5" (12 cm) single sided, double
layer
 - 3" (8 cm) single sided, single layer
 - 3" (8 cm) single sided, double
layer
2. Compact disc
(CD-DA, VIDEO CD)
 - 5" (12 cm) disc
 - 3" (8 cm) disc

Audio output:

600 Ω (2 ch, 2.0 Vrms)

Audio output signal parameters:

1. Frequency range:
20 Hz-20 kHz
2. Signal-to-noise ratio:
90 dB (JIS)
3. Pitch variation:
not measurable

Note:

The technical data and the design of the
equipment are liable to be changed for
the sake of technical improvements
without significant prior notice.

Service-Nummern / Service numbers / Numéros du service après-vente / Numeri del servizio di assistenza / Servicenummers / Telefonnummer för service / Números de servicio / Números de serviço / Servicenumre

Country:	Phone:	Fax:	WWW:
Germany	(D) 0180-5000225	05121-49 4002	http://www.blaupunkt.com
Austria	(A) 01-610 390	01-610 393 91	
Belgium	(B) 02-525 5454	02-525 5263	
Denmark	(DK) 44 898 360	44-898 644	
Finland	(FIN) 09-435 991	09-435 99236	
France	(F) 01-4010 7007	01-4010 7320	
Great Britain	(GB) 01-89583 8880	01-89583 8394	
Greece	(GR) 0800-550 6550	01-576 9473	
Ireland	(IRL) 01-4149400	01-4598830	
Italy	(I) 02-369 6331	02-369 6464	
Luxembourg	(L) 40 4078	40 2085	
Netherland	(NL) 023-565 6348	023-565 6331	
Norway	(N) 66-817 000	66-817 157	
Portugal	(P) 01-2185 00144	01-2185 11111	
Spain	(E) 902-120234	916-467952	
Sweden	(S) 08-7501500	08-7501810	
Switzerland	(CH) 01-8471644	01-8471650	
Czech. Rep.	(CZ) 02-6130 0441	02-6130 0514	
Hungary	(H) 01-333 9575	01-324 8756	
Poland	(PL) 0800-118922	022-8771260	
Turkey	(TR) 0212-3350677	0212-3460040	
USA	(USA) 800-2662528	708-6817188	
Brasil (Mercosur)	(BR) +55-19 3745 2769	+55-19 3745 2773	
Malaysia (Asia Pacific)	(MAL) +604-6382 474	+604-6413 640	