



In Car Entertainment

IVSC-5502

7 607 004 577



OK

www.blaupunkt.com

 **BLAUPUNKT**

CONTENTS

General	8
Installation and safety notes.....	8
Accessories.....	8
Scope of delivery	8
Switching on/off	8
Switching on the signal controller.....	8
Switching off the signal controller.....	9
Settings	9
External monitor switch (Fig. 2).....	9
Monitor connections.....	9
IR remote control	9
Functions.....	9
Settings for Audio OUT.....	9
Installation	10
Installation and safety notes.....	10
Positive connection.....	10
Switch plus.....	10
Fuses.....	10
Minus connection (earth).....	10
Recycling and disposal.....	10
Specifications	11
Equipment.....	11
Connection diagrams	62

GENERAL NOTES


General

We provide a manufacturer's warranty for our products purchased within the European Union. You can view the guarantee conditions at www.blaupunkt.de or ask for them directly at:

Blaupunkt GmbH
Hotline CM/PSS 6
Robert Bosch Str. 200
D-31139 Hildesheim

Installation and safety notes

Please read the following information carefully before plugging in your signal controller.

 The negative terminal on the battery must be disconnected while the device is being installed and connected.

Observe the safety notes from the vehicle manufacturer (airbag, alarm systems, on-board computers, immobilisers).

Before drilling holes, ensure that no routed cables or vehicle components are damaged!

When installing the device, choose a place where the signal controller can be securely screwed in so that it does not hinder the driver or endanger the vehicle occupants should the vehicle come to an abrupt stop, e.g. in the case of emergency braking.

The IR remote control may not be installed in the deployment area of air bags (driver side, passenger side, side impact air bags) or in the head or knee impact area!

The customer should check and ensure all aspects of the holding force of the adhesive pad on the mounting surface at the installation point.

Accessories

We recommend using only accessories approved by Blaupunkt.

Scope of delivery

The scope of delivery of this signal controller includes all the parts listed below. Check whether the scope of delivery of your device is complete. Please contact your dealer immediately if one of the listed parts is missing.

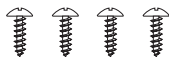
- Signal controller 7 607 003 551



- Connecting cable



- Screws



- IR remote control



- IR receiver



- Operating and installation instructions

Switching on/off

Switching on the signal controller

The signal controller is switched on via the "+12V Ignition" switching cable from the connected control device.

Switching off the signal controller

The signal controller is switched off via the "+12V Ignition" switching cable from the connected control device.

Settings

External monitor switch (Fig. 2)

Switch position **right**: No external monitor connected.

Switch position **left**: For connection of a Blaupunkt navigation (RGB) monitor via Y-cable (7 607 001 600).

Monitor connections

From the monitor output FRONT, LEFT, RIGHT and OVERHEAD, **either** the 8 **or** 13-pin socket can be used.

Note: The total current consumption of the connected monitors must not exceed 4 amperes.

Please check the respective current consumption of a monitor in its installation instructions.

IR remote control

Functions

The supplied remote control is suitable for operating the signal controller and the monitors.

Controlling a single monitor or even all monitors at the same time requires the input of a key sequence. For this purpose, the monitor (FRONT/LEFT/RIGHT-OVERHEAD or ALL) is selected first, and then the desired function is initiated. The monitor selection remains in effect until one of the buttons (FRONT/LEFT/RIGHT-OVERHEAD or ALL) is pressed again.

- ① POWER
On/Off button for the selected monitor(s).
- ② NAVI
Selects the navigation monitor.
- ③ VOL • Arrow button ▲
Increasing the volume of the selected monitor (not Audio OUT).
VOL • arrow button ▼
Decreasing the volume of the selected monitor (not Audio OUT).
- ④ MUTE
Muting all connected monitors and Audio OUT.
- ⑤ CH • arrow button ▲ / ▼
Selecting the input source for the selected monitor.
- ⑥ RIGHT
Selects the right monitor.

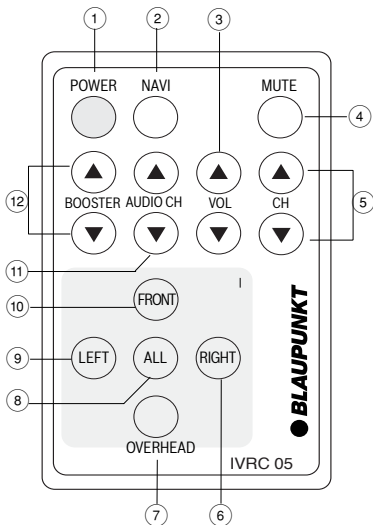
- ⑦ OVERHEAD
Selects the overhead monitor.
- ⑧ ALL
Selects all monitors.
- ⑨ LEFT
Selects the left monitor.
- ⑩ FRONT
Selects the front monitor.

Settings for Audio OUT

- ⑪ AUDIO CH • ▲ / ▼ Selects the input source for Audio OUT

Note: The input source must allow for controlling the volume.

- ⑫ BOOSTER • Sets the amplification for Audio OUT
▲ / ▼ 0 dB or 10 dB.



Installation

Installation and safety notes

Please read the following information carefully before plugging in your signal controller.

The negative terminal on the battery must be disconnected while the device is being installed and connected.

Observe the safety notes from the vehicle manufacturer (airbag, alarm systems, on-board computers, immobilisers).

Before drilling holes, ensure that no routed cables or vehicle components are damaged!

When installing the device, choose a place where the signal controller can be securely screwed in so that it does not hinder the driver or endanger the vehicle occupants should the vehicle come to an abrupt stop, e.g. in the case of emergency braking.

The IR remote control may not be installed in the deployment area of air bags (driver side, passenger side, side impact air bags) or in the head or knee impact area!

The customer should check and ensure all aspects of the holding force of the adhesive pad on the mounting surface at the installation point.


Note:

Before connecting the monitors and your signal controller, check the proper +/- and switch plus connection.

Positive connection

Connect the fuse holder (10 A fuse) for protecting the plus cable (permanent (1) (see Fig. 1)) no more than 30 m away from the vehicle battery at the positive terminal (if necessary, drill a hole in the bulkhead and use the corresponding cable bushing).

Switch plus

Connect the switch plus cable (2) (see Fig. 1) to the switch plus output (ignition ) of the base device (e.g. car sound system or navigation). If connecting to terminal 15 of the vehicle, a fuse holder (1 A fuse) must be connected for protecting the switch plus cable (2) no further than 20 cm from the connecting point.

Fuses

If a replacement fuse is used, never bridge fuses or replace them with a type with higher current.

Minus connection (earth)

Screw the negative cable (earth/GND) (3) (see Fig. 1) directly to the chassis. Scrape the contact surface of the ground location to metallic bright and apply graphite grease to it (important for a good ground connection).

- If the installation requires drilling holes or making other changes to the vehicle, please contact a specialised garage in your vicinity.

Note:

Displaying PAL video is not possible on the TV monitor wide vision via the RGB input.

The PAL video signal must then be connected directly at the AV input of the TV monitor wide vision.

Recycling and disposal



Please use the return and collection systems available to dispose of the product.

Subject to changes!

Specifications

Video input:
Composite video, 1.0 Vpp, 75 ohm

Audio input:
0 - 1.0 Vrms, 20 Hz-20 kHz
(booster off)

0 - 0.3 Vrms, 20 Hz-20 kHz
(booster on)

RGB input (video signal):
0.7 Vpp, 75 ohm

RGB input (composite-sync):
0.7 Vpp, 75 ohm

Video output:
Composite video, 1.0 Vpp, 75 ohm

Audio output:
0 - 1.0 Vrms, 20 Hz - 20 kHz

RGB output (video signal):
0.7 Vpp, 75 ohm

RGB output (composite-sync):
1.0 Vpp, 75 ohm

Power supply:
DC 12 V, +/- 10%, max. 10 A

Operating temperature:
-20 ° to +70 ° Celsius

Dimensions:
205 x 45 x 146 mm (W x H x D)

Equipment

5 audio inputs:
RCA socket

4 video inputs:
RCA socket

1 RGB input:
15-pin Sub-D socket

4 monitor outputs:
Composite video, Audio L/R, Control, 13-pin (8-pin) socket, with power, earth, and switch plus

1 RGB output:
15-pin Sub-D plug

1 audio output:
RCA sockets
10 dB booster on/off

Conversion:
RGB in CCVS
CCVS in RGB

IR remote control

IR receiver

Power input:
4-pin plug

Metal housing

Anschlussbilder • Connection diagrams • Schéma électrique • Schemi di allacciamento • Aansluittekeningen • Anslutningsbilder • Esquemas de conexión • Esquemas de ligação • Tilslutningskemaer • Schemat podłączenia • Schéma připojení • Schémy pripojenia

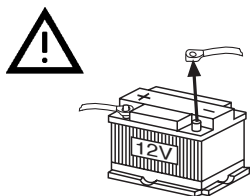


Fig. 1

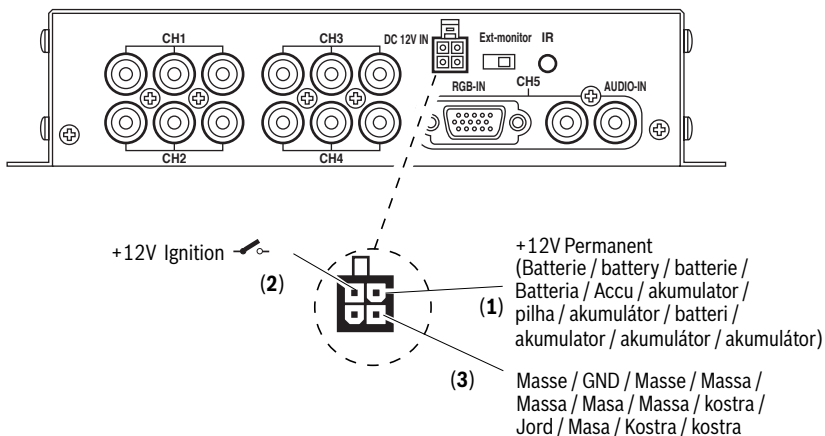


Fig. 2

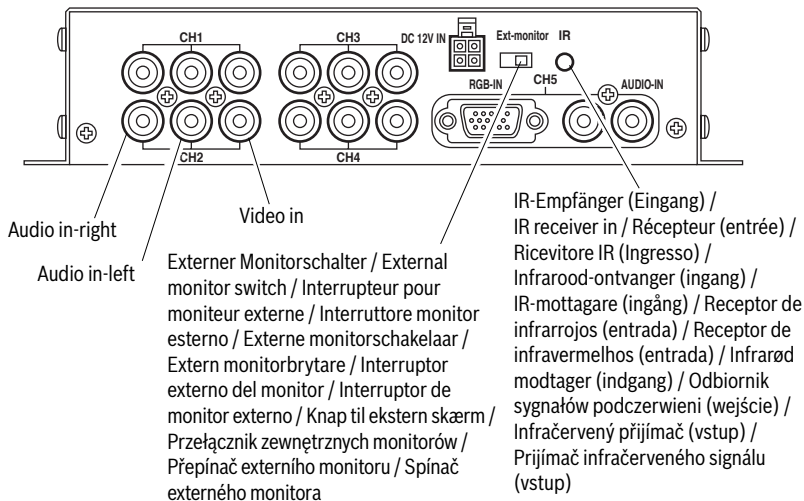
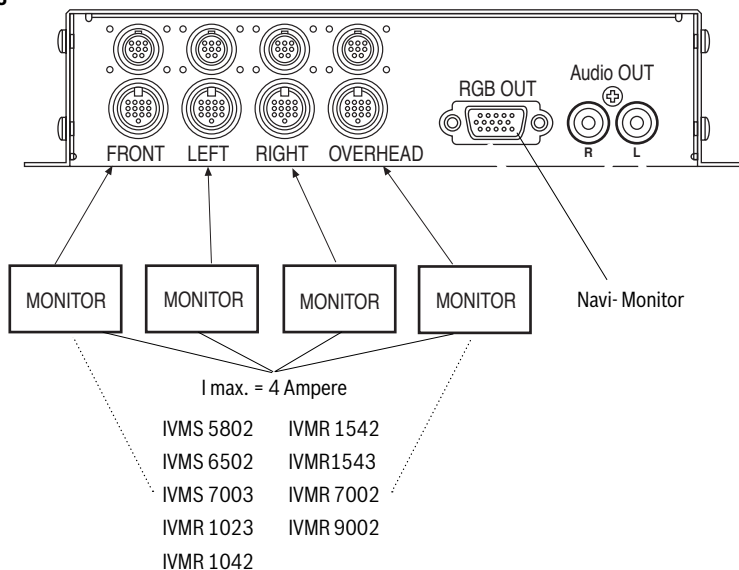
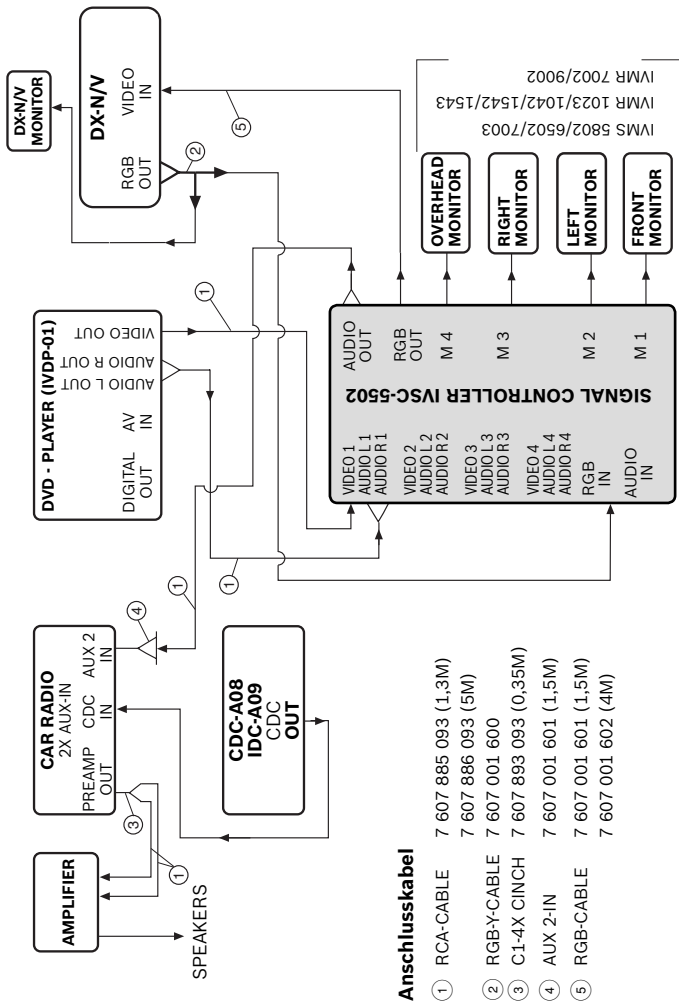


Fig. 3



Beispielanschluss mit verschiedenen Komponenten

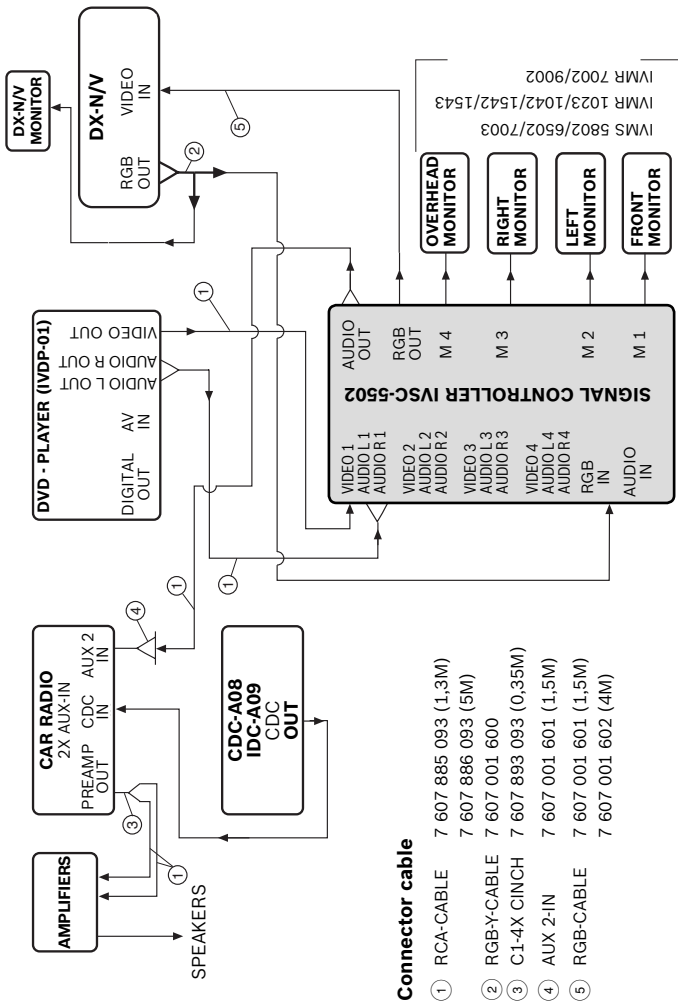


Anschlusskabel

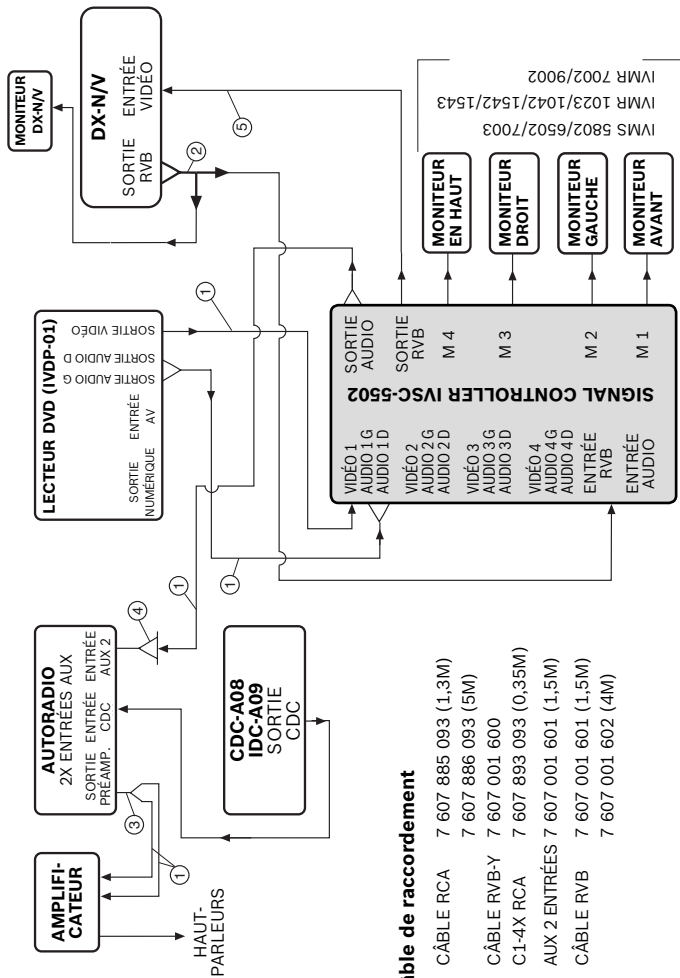
- ① RCA-CABLE 7 607 885 093 (1,3M)
- ② RGB-Y-CABLE 7 607 886 093 (5M)
- ③ C1-4X CINCH 7 607 001 600
- ④ AUX 2-IN 7 607 893 093 (0,35M)
- ⑤ AUX 2-IN 7 607 001 601 (1,5M)
- ⑥ RGB-CABLE 7 607 001 601 (1,5M)
- ⑦ RGB-CABLE 7 607 001 602 (4M)

IVMS 5802/6502/7003
 IVMR 1023/1042/1542/1543
 IVMR 7002/9002

Connection example with various components



Exemple de raccordement de divers éléments

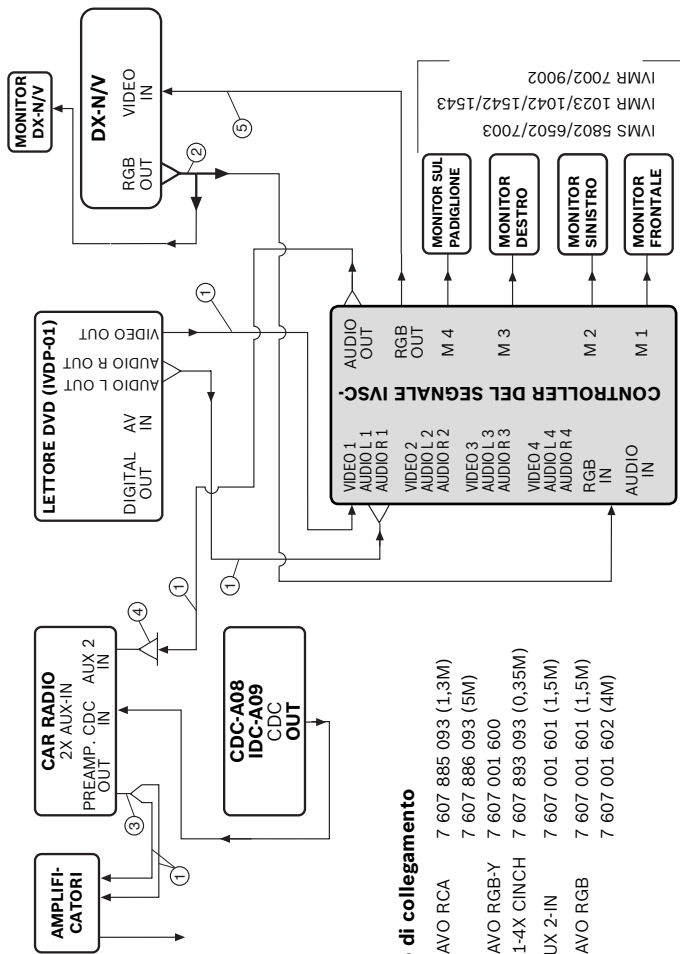


Câble de raccordement

- ① CÂBLE RCA 7 607 885 093 (1,3M)
7 607 886 093 (5M)
- ② CÂBLE RVB-Y 7 607 001 600
- ③ C1-4X RCA 7 607 893 093 (0,35M)
- ④ AUX 2 ENTRÉES 7 607 001 601 (1,5M)
- ⑤ CÂBLE RVB 7 607 001 601 (1,5M)
7 607 001 602 (4M)

IVMS 5802/6502/7003
IVMR 1023/1042/1542/1543
IVMR 7002/9002

Collegamento esemplificativo con diversi componenti

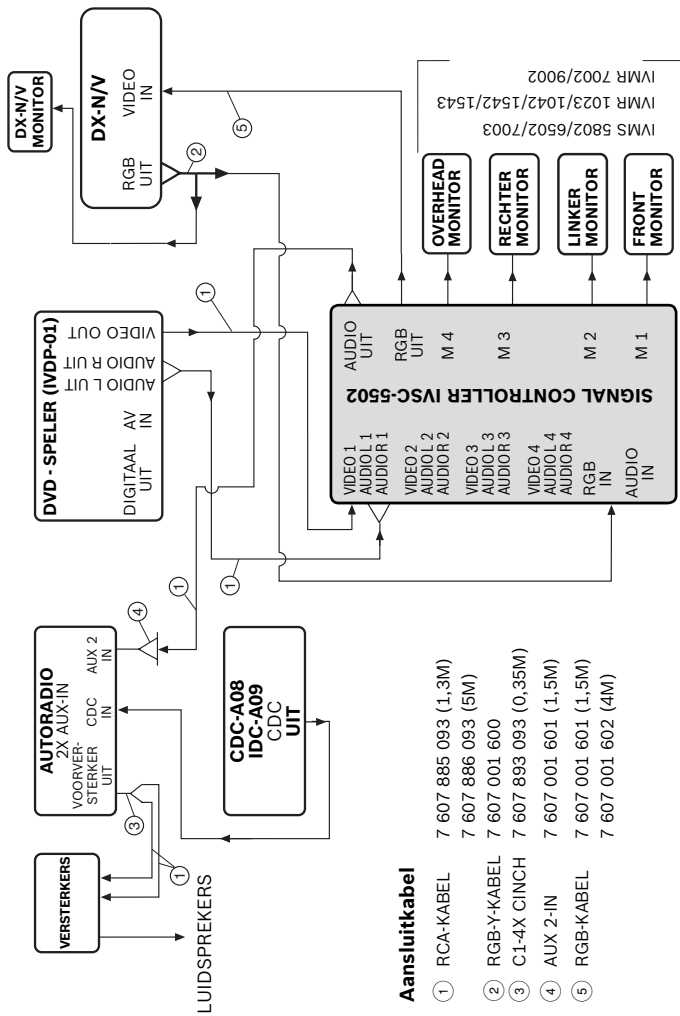


Cavo di collegamento

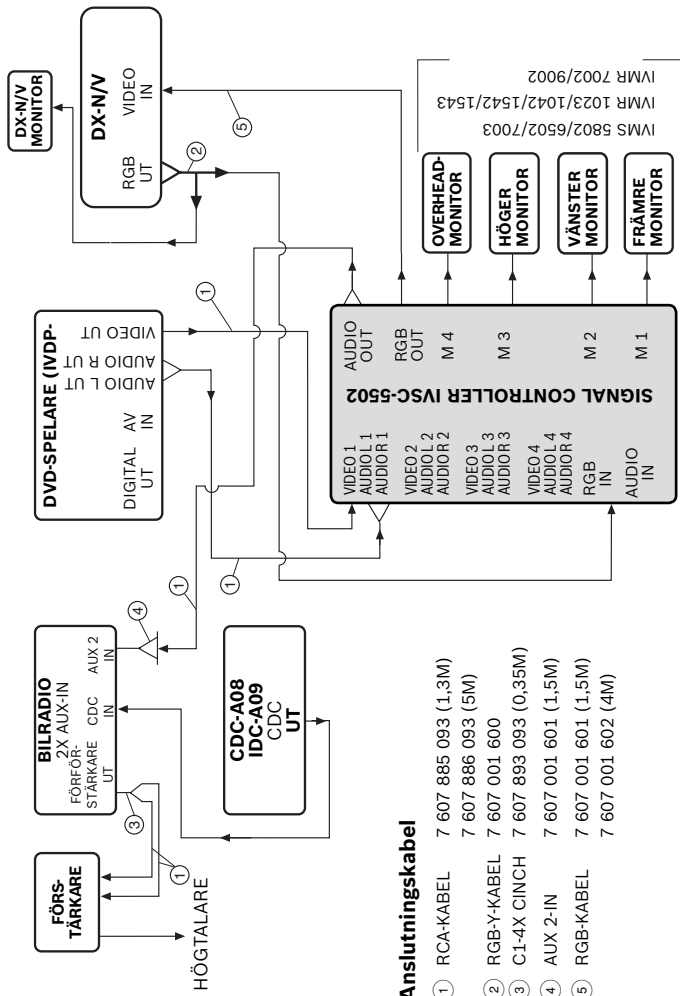
- ① CAVO RCA 7 607 885 093 (1,3M)
- ② CAVO RGB-Y 7 607 886 093 (5M)
- ③ C1-4X CINCH 7 607 001 600
- ④ AUX 2-IN 7 607 893 093 (0,35M)
- ⑤ CAVO RGB 7 607 001 601 (1,5M)
- 7 607 001 602 (4M)

IVMS 5802/6502/7003
 IVMR 1023/1042/1542/1543
 IVMR 7002/9002

Voorbeeldaansluiting met verschillende componenten



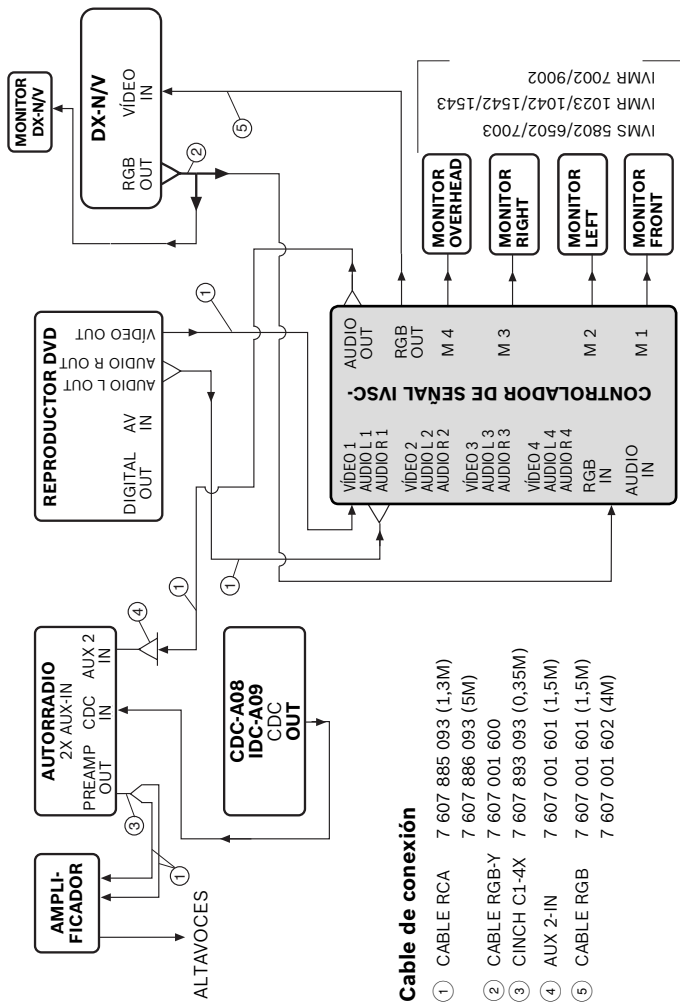
Exempel på anslutning med olika komponenter.



Anslutningskabel

- ① RCA-KABEL 7 607 885 093 (1,3M)
- ② RGB-Y-KABEL 7 607 886 093 (5M)
- ③ C1-4X CINCH 7 607 001 600
- ④ AUX 2-IN 7 607 893 093 (0,35M)
- ⑤ AUX 2-IN 7 607 001 601 (1,5M)
- ⑤ RGB-KABEL 7 607 001 601 (1,5M)
- ⑤ RGB-KABEL 7 607 001 602 (4M)

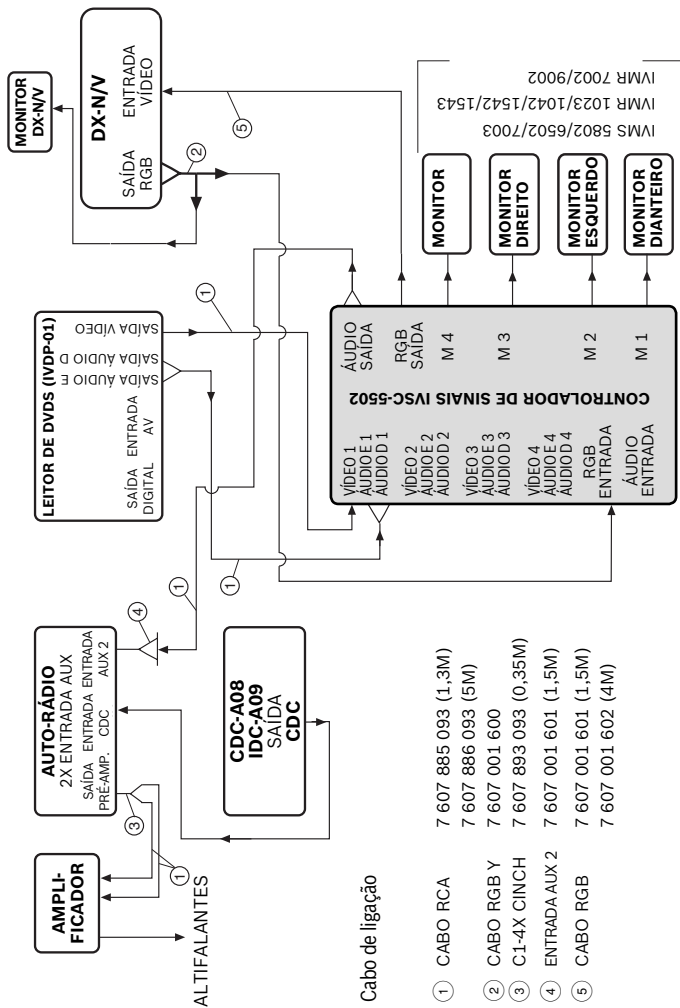
Ejemplo de conexión con diferentes componentes



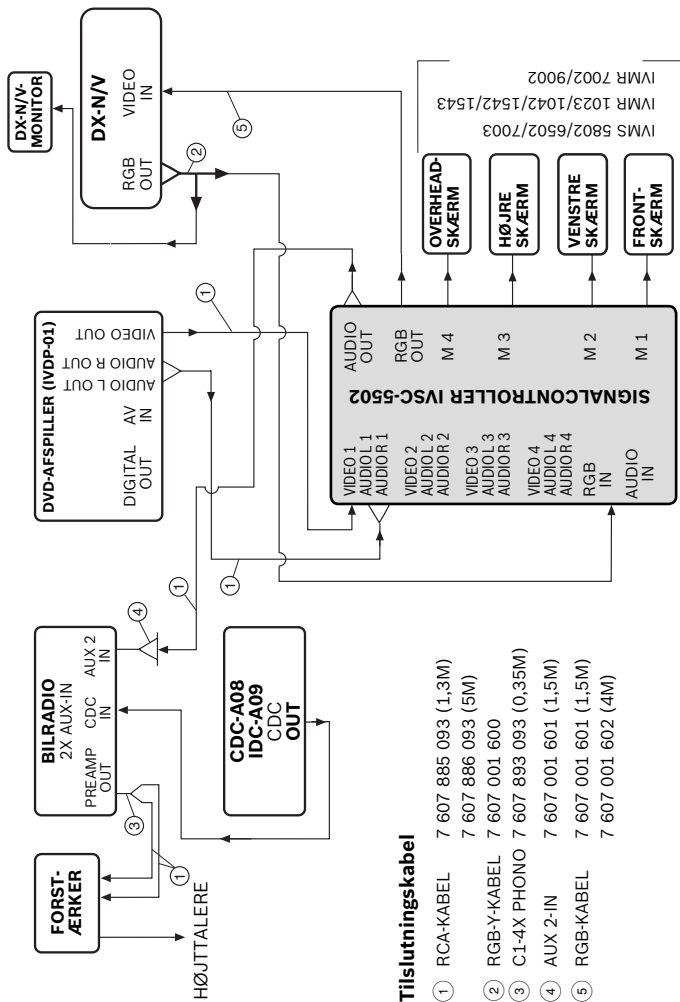
Cable de conexión

- ① CABLE RCA 7 607 885 093 (1,3M)
- ② CABLE RGB-Y 7 607 886 093 (5M)
- ③ CABLE RGB-Y 7 607 001 600
- ④ CABLE C1-4X 7 607 893 093 (0,35M)
- ④ AUX 2-IN 7 607 001 601 (1,5M)
- ⑤ CABLE RGB 7 607 001 601 (1,5M)
- 7 607 001 602 (4M)

Exemplo de ligação com diversos componentes



Eksempel på tilslutning med forskellige komponenter

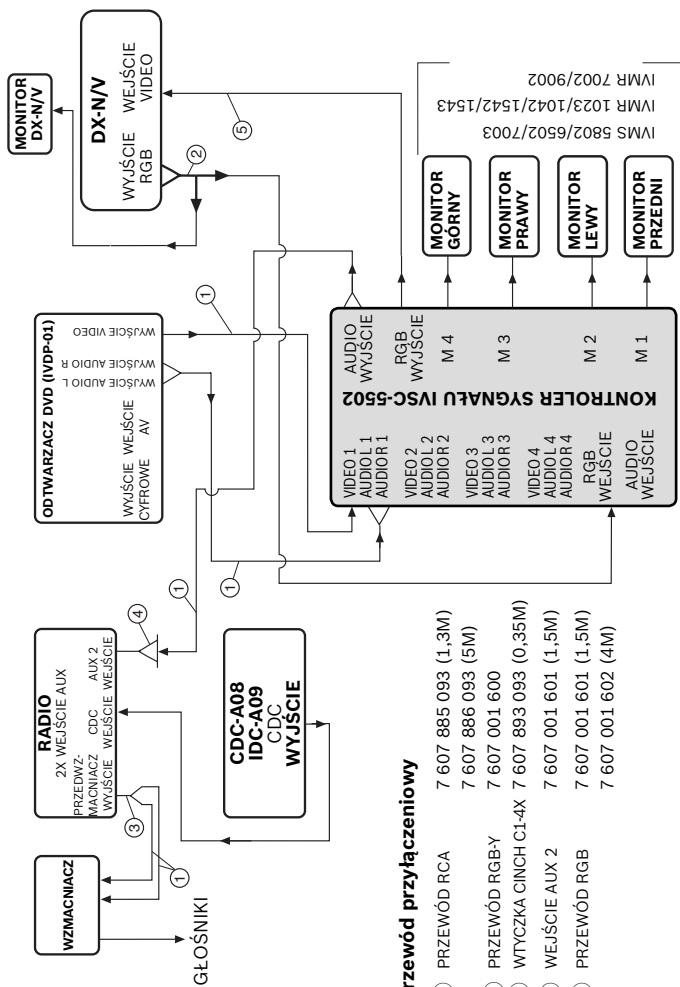


Tilslutningskabel

- ① RCA-KABEL 7 607 885 093 (1,3M)
7 607 886 093 (5M)
- ② RGB-Y-KABEL 7 607 001 600
- ③ C1-4X PHONO 7 607 893 093 (0,35M)
- ④ AUX 2-IN 7 607 001 601 (1,5M)
- ⑤ RGB-KABEL 7 607 001 601 (1,5M)
7 607 001 602 (4M)

IVMS 5802/6502/7003
IVMR 1023/1042/1542/1543
IVMR 7002/9002

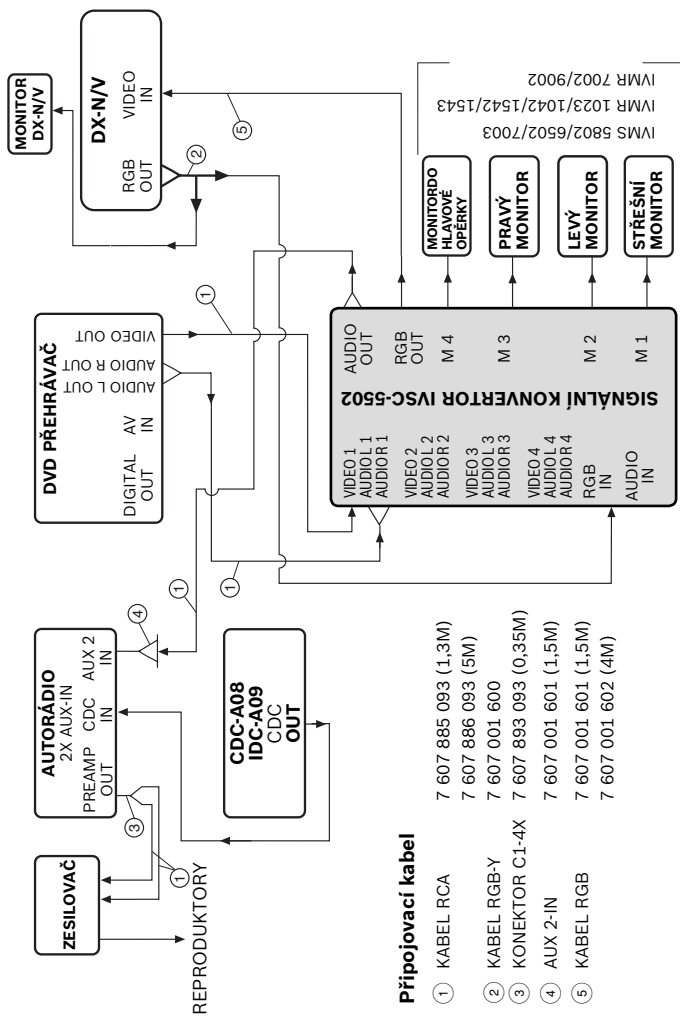
Przykład podłączenia z różnymi komponentami



Przewód przyłączeniowy

- 1) PRZEWÓD RCA 7 607 885 093 (1,3M)
- 2) PRZEWÓD RGB-Y 7 607 886 093 (5M)
- 3) WTYCZKA CINCH C1-4X 7 607 893 093 (0,35M)
- 4) WEJŚCIE AUX 2 7 607 001 601 (1,5M)
- 5) PRZEWÓD RGB 7 607 001 601 (1,5M)
- 7 607 001 602 (4M)

Příklad zapojení s různými komponentami



Přípojovací kabel

- ① KABEL RCA 7 607 885 093 (1,3M)
7 607 886 093 (5M)
- ② KABEL RGB-Y 7 607 001 600
- ③ KONEKTOR C1-4X 7 607 893 093 (0,35M)
- ④ AUX 2-IN 7 607 001 601 (1,5M)
7 607 001 601 (1,5M)
7 607 001 602 (4M)
- ⑤ KABEL RGB

Service-Nummern, Service numbers, Numéros du service après-vente, Numeri del servizio di assistenza, Servicenummers, Telefon-nummer för service, Números de servicio, Número de serviço, Servicenumre, Numery serwisowe, Servisní ěísła, Servisné ěísła

Country:		Phone:	Fax:
Germany	(D)	0180-5000225	05121-49 4002
Austria	(A)	01-610 39 0	01-610 393 91
Belgium	(B)	02-525 5444	02-525 5263
Denmark	(DK)	44 898 360	44-898 644
Finland	(FIN)	09-435 991	09-435 99236
France	(F)	01-4010 7007	01-4010 7320
Great Britain	(GB)	01-89583 8880	01-89583 8394
Greece	(GR)	210 94 27 337	210 94 12 711
Ireland	(IRL)	01-46 66 700	01-46 66 706
Italy	(I)	02-369 6331	02-369 62464
Luxembourg	(L)	40 4078	40 2085
Netherlands	(NL)	00 31 24 35 91 338	00 31 24 35 91 336
Norway	(N)	66-817 000	66-817 157
Portugal	(P)	2185 00144	2185 00165
Spain	(E)	902 52 77 70	91 410 4078
Sweden	(S)	08-75018 50	08-75018 10
Switzerland	(CH)	01-8471644	01-8471650
Czech Rep.	(CZ)	02-6130 0446	02-6130 0514
Hungary	(H)	76 511 803	76 511 809
Poland	(PL)	0800-118922	022-8771260
Turkey	(TR)	0212-335 06 71	0212-3460040
USA	(USA)	800-950-2528	708-865-5296
Brasil (Mercosur)	(BR)	0800 7045446	+55-19 3745 2773
Malaysia (Asia Pacific)	(MAL)	+604-6382 474	+604-6413 640

**Blaupunkt GmbH
Robert-Bosch-Str. 200
D-31139 Hildesheim**