

OK

In Car Video

# IVTV-03

7 607 003 542

---

Operating and installation instructions



<http://www.blaupunkt.com>

 **BLAUPUNKT**

# CONTENTS

---

Safety notices .....	15
Notes on installation and operation .....	16
Tuner connection .....	16
Remote control .....	18
Functions .....	19
Cable TV channels .....	20
Detecting the input signal .....	20
AV output .....	21
Connection options .....	21
Installation (antenna) .....	22
Diversity antenna system .....	22
Safety circuit .....	24
Accessories .....	25
Specifications .....	25
Signal type .....	110
Frequency table for cable TV .....	112

Thank you for choosing a Blaupunkt product. We hope you enjoy using this new piece of equipment.

**Please read these operating instructions before using the equipment for the first time.**

The Blaupunkt editors are constantly working on making the operating instructions clearer and easier to understand. However, if you still have any questions on how to operate the equipment, please contact your dealer or the telephone hotline for your country. You will find the telephone numbers printed at the back of this booklet.

We provide a manufacturer guarantee for our products bought within the European Union. You can view the guarantee conditions at [www.blaupunkt.de](http://www.blaupunkt.de) or ask for them directly at:

Blaupunkt GmbH  
Hotline  
Robert-Bosch-Str. 200  
D-31139 Hildesheim

## Safety notices

**Please observe the following safety notices during installation and whilst making the connections.**

- Disconnect the negative and positive terminals of the battery.
- When doing so, please observe the safety notices provided by the vehicle manufacturer.
- Before drilling the holes necessary for mounting the equipment and for laying cables, please make sure that concealed cables, the fuel tank and fuel lines cannot be damaged in the process!

## Notes on installation and operation

### Tuner connection

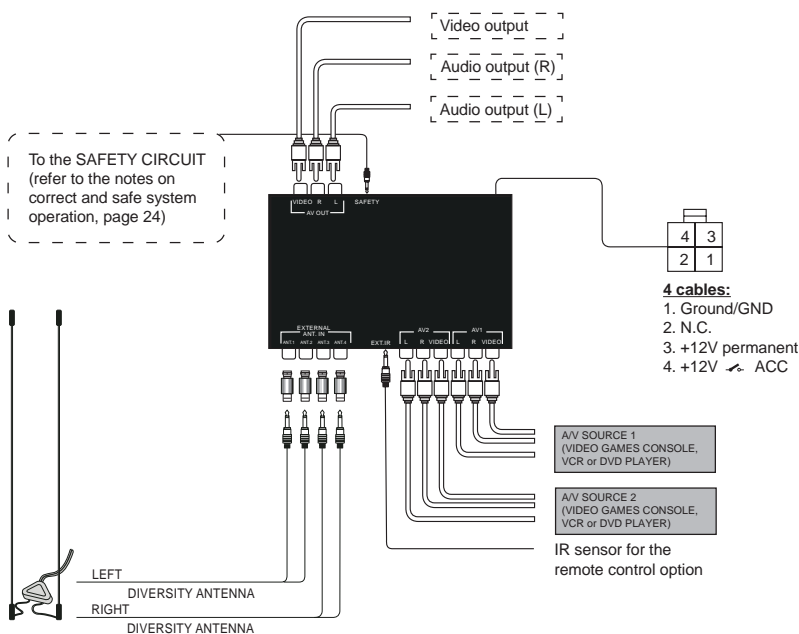
- The tuner must first be installed in a suitable location. You must make sure that the device is fixed securely in place and that it is not subjected to moisture or dirt. You must not lay the connecting cables in a way that could cause the vehicle passengers to get inadvertently caught up in them and rip them out.
- Please note that the tuner must not be positioned near heat sources (e.g. heating, direct sunlight) since this could result in faulty behaviour as a result of excess temperature.
- Connect all of the tuner's audio, video and power supply connections (see connection diagram in the following picture) that you need for your system installation. When positioning the infrared sensor, make sure there are no objects positioned between the sensor and the place where you usually keep your remote control, since they could interfere with the transmission of the infrared signal.

### **Note:**

The following diagram shows all of the tuner's connection options. Your car system's connections do not necessarily have to be exactly the same as this.

# NOTES ON INSTALLATION AND OPERATION

## Tuner connection



# NOTES ON INSTALLATION AND OPERATION

## Remote control

### TV/AV

These buttons allow you to select the available inputs TV, CATV, AV 1, AV 2.

### POWER

For switching on the IVTV -03.

Program selection buttons for stored favourites..

### DISP

Display the TV standards and channel information

### MENU

Open the region menu

### ADD

Open the channel storing menu for the program selection buttons

Start search to the previous channel

CH Channel selection UP / DOWN

ADJ Channel fine tuning

### ERASE

Erase button for the program memory assignments

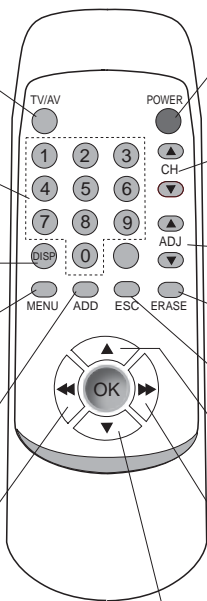
### ESC

Return without storing

Start search to the next channel in the favourites list

Start search to the next channel

Start search to the previous channel in the favourites list



# FUNCTIONS

## Functions

### POWER

To *switch on* the TV tuner, press the POWER button.

To *switch off* the TV tuner, press the POWER button again.

### TV/AV

You can use the TV/AV button to switch between the channel/input options TV, CATV, AV1 and AV2.

### CH ▲▼

*Channel search ▲* > Press once to switch to the next higher channel.

*Channel search ▼* > Press once to switch to the next lower channel.

### ADJ ▲▼

*Channel fine tuning* > Carries out fine tuning once more.

This function is necessary if the channel you are searching for lies outside the standard frequency raster.

### ERASE

*Erase button* for thSelect the program memory location, press the ERASE button and confirm the erase action with the OK button.

### ESC

Return without saving if you are in the menu or after pressing the Erase button.

### ADD

Open the channel storing menu for the *program selection buttons* > Select the channel, press the ADD button, then enter the number of the memory location and confirm by pressing the OK button.

### MENU

Open the *region menu* > Briefly press the menu button, use PRG ▲/▼ to select the receivable region and confirm by pressing the OK button.

Selection: PAL B/G, B/H, I, D/K, AUS; SECAM L, L', DK, BG

### DISP

Display the TV standards and channel information.

### Channel selection buttons 0 - 9

Program selection buttons for stored favourites.

There are a total of 15 program memory locations available.

(01-15)

### PRG ▲▼

*Channel search* Up/Down for stored favourites.



*Channel search* UP/Down

### OK

Confirmation button in function menus.

**Detecting the input signal**

The tuner system automatically detects whether a signal is being received and/or whether a signal can be received in every signal input mode or not. If it does not detect a signal, the "No Signal" status is indicated. If a signal is received, a corresponding display appears immediately.

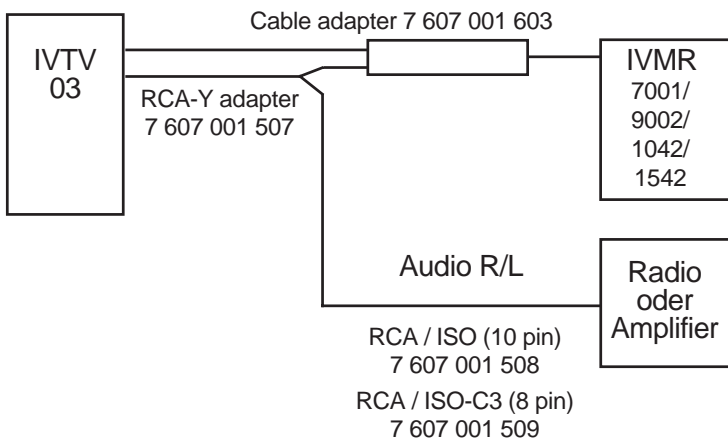
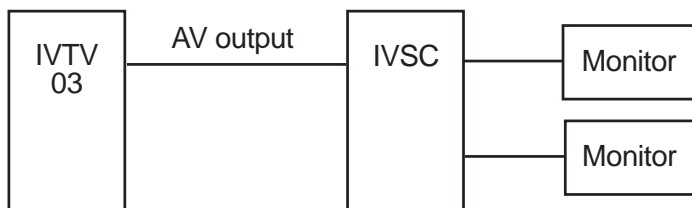
<b>System</b>	<b>TV</b>	<b>Cable TV (CATV)</b>
PAL B/G	TV channels 2 ~ 69	Cable TV channels 1 ~ 57
PAL B/H	TV channels 2 ~ 69	Cable TV channels 1 ~ 57
PAL I	TV channels 12 ~ 69	Cable TV channels 1 ~ 44
PAL D/K	TV channels 1 ~ 57	Cable TV channels 1 ~ 63
PAL AUS	TV channels 00 ~ 69	Cable TV channels
SECAM L	TV channels 21 ~ 61	Cable TV channels 2 ~ 40
SECAM L'	TV channels 1 ~ 10	Cable TV channels 2 ~ 40
SECAM DK	TV channels 21 - 60	Cable TV channels 1
SECAM BG	TV channels 02 - 61	Cable TV channels 2
<b>Input source</b>	<b>Description</b>	
AV1	External audio/video input 1	
AV2	External audio/video input 2	



## AV output

This connection option is used for sending the audio signal directly to the car sound system. In order to use this option, the car sound system must be equipped with an AUX input. The video output is used to connect additional video screens and it only outputs the video signal.

## Connection options



# INSTALLATION

---

## Installation

### Diversity antenna system

The Diversity antenna system that is integrated in the tuner has been specially developed for mobile applications and ensures optimum signal reception.

#### a. Installation

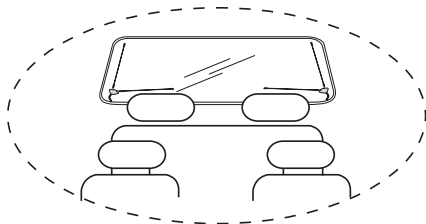
Remove the protective covering from the antenna foot and secure the adhesive foot to the required position (the surface to which it is stuck must be free from dust and grease).

#### b. Adjusting the angle

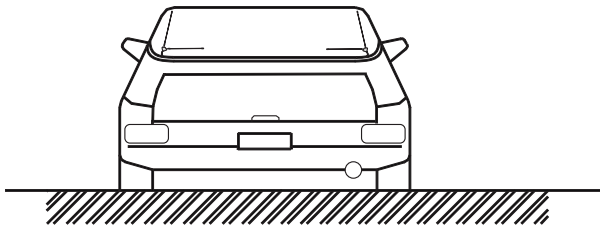
In order to achieve optimum reception quality, adjust the position of the antenna so that (if possible) one rod is aligned horizontally and one rod vertically.

#### c. Installation notes

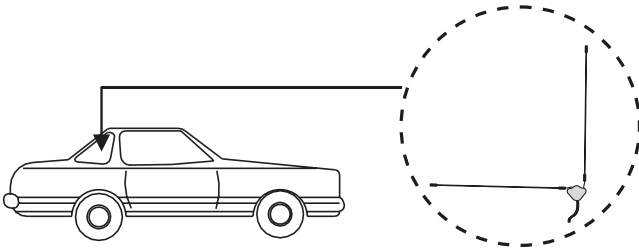
- Installation on the rear window



- Installation on the windscreen

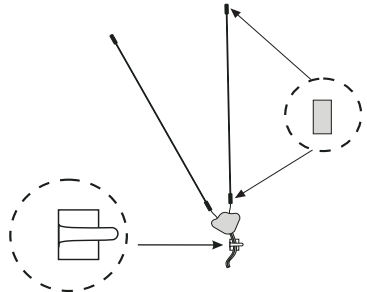


- Installation on the side window

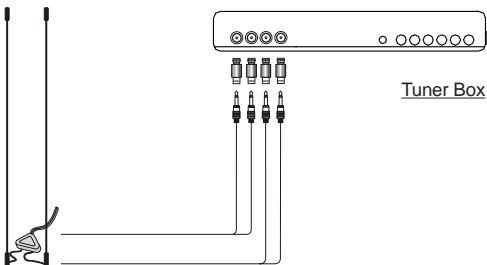


- Antenna attachment

The supplied adhesive strips for the antenna achieve optimum adhesion after approx. 24 hours. You must not re-use adhesive strips once you remove them from the window. If you want to re-install the antenna, you can use the supplied replacement adhesive strip, which can be cut to size with scissors.



- Connection of the antenna to the tuner box

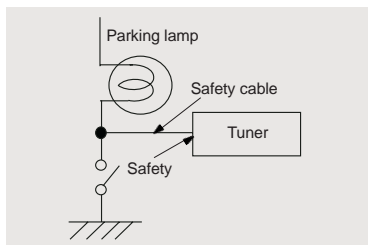
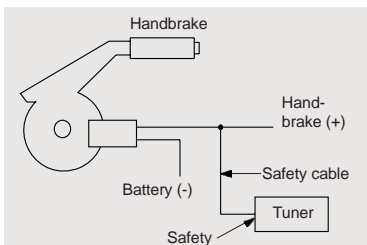


# INSTALLATION

## Safety circuit

The tuner module has been fitted with a safety circuit to ensure safe TV operation. The supplied accessory components include a special safety cable. **If the safety system is installed correctly, you can only activate TV operating mode if the vehicle handbrake is on.** The schematic diagrams below provide information on how to install the system. If you require additional assistance, please contact your dealer.

TV/AV selection	Function of the safety circuit	
	Vehicle is moving	Vehicle is stationary
TV IN	Monitor off	Monitor on
AV IN	Monitor off	Monitor on



## Accessories

IR cable	1
AV cable	
Electrical cable	
Safety cable	
Remote control with battery	
Operating instructions	
Antenna	
Adapter	4

## Specifications

AV input	2 x AV RCA
AV output	1 x AV RCA
TV channels	see page 19
Dimensions (W x H x D)	182 x 27.4 x 134 mm
Weight	640 g
Supported system	PAL B/G, B/H, I, D/K, AUS, Secam BG, DK, L, L'
Visible-type fuse	3 amps
Operating temperature	0° C to +60° C
Storing temperature	-20° C to +70° C
Operating voltage	10 V to 16 V
Current consumption approx.	1 A (TV mode), 0.76 A AV mode
Quiescent current consumption	< 1 mA
Video input/output impedance	75 ohms
Audio input/output impedance	620 ohms
Video in/out amplification	0 dB / 75 ohms
Audio in/out amplification	0 dB / without load

Subject to changes!

# SIGNAL TYPE

COUNTRY	SIGNAL TYPE		
ISLE OF MAN	PAL	GREECE	PAL B/G
NEPAL	B	ICELAND	PAL B/G
BULGARIA	PAL	ISRAEL	PAL B/G
IRAQ	PAL	ITALY	PAL B/G
SRI LANKA	PAL	KENYA	PAL B/G
AZORES	PAL B	KUWAIT	PAL B/G
BANGLADESH	PAL B	LEBANON	PAL B/G
BRUNEI DARUSSALAM	PAL B	LIBYA	PAL B/G
COOK ISLANDS	PAL B	LIECHTENSTEIN	PAL B/G
EAST TIMOR	PAL B	NETHERLANDS	PAL B/G
EASTER ISLAND	PAL B	NEW ZEALAND	PAL B/G
ETHIOPIA	PAL B	NIGERIA	PAL B/G
GAMBIA	PAL B	NORWAY	PAL B/G
GREENLAND	PAL B	OMAN	PAL B/G
INDIA	PAL B	PAPUA NEW GUINEA	PAL B/G
INDONESIA	PAL B	PORTUGAL	PAL B/G
LAOS	PAL B	SAO TOMÉ E PRINCIPE	PAL B/G
MADEIRA	PAL B	SEYCHELLES	PAL B/G
MALAYSIA	PAL B	SIERRA LEONE	PAL B/G
MALDIVES	PAL B	SINGAPORE	PAL B/G
MALTA	PAL B	SLOVAKIA	PAL B/G
MOZAMBIQUE	PAL B	SOMALIA	PAL B/G
NORFOLK ISLAND	PAL B	SPAIN	PAL B/G
PAKISTAN	PAL B	SWAZILAND	PAL B/G
QATAR	PAL B	SWEDEN	PAL B/G
SUDAN	PAL B	SWITZERLAND	PAL B/G
TANZANIA	PAL B	UGANDA	PAL B/G
TURKEY	PAL B	UNITED ARAB EMIRATES	PAL B/G
AFGHANISTAN	PAL B, SECAM B	YUGOSLAVIA	PAL B/G
ALBANIA	PAL B/G	ZAMBIA	PAL B/G
ALGERIA	PAL B/G	ZIMBABWE	PAL B/G
AUSTRALIA	PAL B/G	JORDAN	PAL B/G
AUSTRIA	PAL B/G	CZECH REPUBLIC	PAL B/G
BAHRAIN	PAL B/G	(cable), PAL D/K (broadcast)	
CAMEROON	PAL B/G	CAMBODIA	PAL B/G
CANARY ISLANDS	PAL B/G	EGYPT	PAL B/G,
CYPRUS	PAL B/G	SECAM B/G	
DENMARK	PAL B/G	LITHUANIA	PAL B/G,
ESTONIA	PAL B/G	SECAM D/K	
FINLAND	PAL B/G	LATVIA	PAL B/G,
GERMANY	PAL B/G	SECAM D/K	
GHANA	PAL B/G	LUXEMBOURG	PAL B/G,
GIBRALTAR	PAL B/G	SECAM L	
		BELGIUM	PAL B/H
		BOSNIA/HERZEGOVINA	PAL B/H

# SIGNAL TYPE

CROATIA	PAL B/H	RUSSIA	SECAM D/K	DEUTSCH
LIBERIA	PAL B/H	TAJIKISTAN	SECAM D/K	
MACEDONIA	PAL B/H	TURKMENISTAN	SECAM D/K	
SLOVENIA	PAL B/H	UKRAINE	SECAM D/K	
THAILAND	PAL B/M	UZBEKISTAN	SECAM D/K	
YEMEN	PAL B	FRANCE		
CHINA		(FRENCH FORCES TV)	SECAM G	
(PEOPLE'S REPUBLIC)	PAL D	BENIN	SECAM K	
ROMANIA	PAL D/G	BURKINA FASO	SECAM K	
POLAND	PAL D/K	BURUNDI	SECAM K	
ANGOLA	PAL I	CENTRAL AFRICAN		FRANÇAIS
FALKLAND ISLANDS		REPUBLIC	SECAM K	
(LAS MALVINAS)	PAL I	CONGO		
HONG KONG	PAL I	(PEOPLE'S REPUBLIC)	SECAM K	
IRELAND, REPUBLIC OF	PAL I	CONGO, DEM.		
MACAU	PAL I	REP. (ZAIRE)	SECAM K	
NAMIBIA	PAL I	DJIBOUTI	SECAM K	
SOUTH AFRICA	PAL I	GABON	SECAM K	
UNITED KINGDOM	PAL I	GADELOUPE	SECAM K	
GUINEA	PAL K	GUIANA (FRENCH)	SECAM K	
LESOTHO	PAL K	MADAGASCAR	SECAM K	ITALIANO
HUNGARY	PAL K/K	MALI	SECAM K	
HAITI	SECAM	MARTINIQUE	SECAM K	
TAHITI	SECAM	MAYOTTE	SECAM K	
EQUATORIAL GUINEA	SECAM B	NEW CALEDONIA	SECAM K	
MAURITANIA	SECAM B	NIGER	SECAM K	
MAURITIUS	SECAM B	POLYNESIA (FRENCH)	SECAM K	
MOROCCO	SECAM B	REUNION	SECAM K	
SYRIA	SECAM	ST. PIERRE ET MIQUELON	SECAM K	
	B, PAL G	SENEGAL	SECAM K	
IRAN	SECAM B/G	TOGO	SECAM K	NEEDERLANDS
TUNISIA	SECAM B/G	WALLIS & FUTUNA	SECAM K	
SAUDI ARABIA	SECAM B/ G, PAL B	BOTSWANA	SECAM K, PAL I	
CHAD	SECAM D	COTE D'IVOIRE		
MONGOLIA	SECAM D	(IVORY COAST)	SECAM K/D	
KOREA (NORTH)	SECAM D, PAL D/K	FRANCE	SECAM L	
		MONACO	SECAM L, PAL G	
ARMENIA	SECAM D/K			
AZERBAIJAN	SECAM D/K			
BELARUS	SECAM D/K			
GEORGIA	SECAM D/K			
KAZAKHSTAN	SECAM D/K			
KYRGYZ REPUBLIC	SECAM D/K			
MOLDOVA (MOLDAVIA)	SECAM D/K			

DEUTSCH

ENGLISH

FRANÇAIS

ITALIANO

NEEDERLANDS

SVENSKA

ESPAÑOL

PORTUGUÉS

DANSK

**Frequenztafel für Kabel-TV**  
**Frequency table for cable TV**  
**Tableau des fréquences pour la télévision câble**  
**Tabella delle frequenze per TV via cavo**  
**Frequentietabel voor kabel-tv**  
**Frekvenstabell för kabel-tv**  
**Tabla de frecuencias para televisión por cable**  
**Tabela de frequências para TV**  
**Frekvenstabel for kabel-TV**

<b>PAL B/G</b>		
Index	Channel No.	Freq. (MHz)
1	E2	48.25
2	E3	55.25
3	E4	62.25
4	X	69.25
5	Y	76.25
6	Z	83.25
7	Z+1	90.25
8	Z+2	97.25
9	S1	105.25
10	S2	112.25
11	S3	119.25
12	S4	126.25
13	S5	133.25
14	S6	140.25
15	S7	147.25
16	S8	154.25
17	S9	161.25
18	S10	168.25
19	E5	175.25
20	E6	182.25
21	E7	189.25
22	E8	196.25
23	E9	203.25
24	E10	210.25
25	E11	217.25
26	E12	224.25
27	S11	231.25
28	S12	238.25
29	S13	245.25
30	S14	252.25
31	S15	259.25

Index	Channel No.	Freq. (MHz)
32	S16	266.25
33	S17	273.25
34	S18	280.25
35	S19	287.25
36	S20	294.25
37	S21	303.25
38	S22	311.25
39	S23	319.25
40	S24	327.25
41	S25	335.25
42	S26	343.25
43	S27	351.25
44	S28	359.25
45	S29	367.25
46	S30	375.25
47	S31	383.25
48	S32	391.25
49	S33	399.25
50	S34	407.25
51	S35	415.25
52	S36	423.25
53	S37	431.25
54	S38	439.25
55	S39	447.25
56	S40	455.25
57	S41	463.25

<b>PAL I</b>		
Index	Channel No.	Freq. (MHz)
1	S01	69.25
2	S02	76.25
3	S03	83.25
4	S1	105.25
5	S2	112.25
6	S3	119.25
7	S4	126.25
8	S5	133.25
9	S6	140.25
10	S7	147.25
11	S8	154.25
12	S9	161.25
13	S10	168.25
14	S11	231.25
15	S12	238.25
16	S13	245.25
17	S14	252.25
18	S15	259.25
19	S16	266.25
20	S17	273.25
21	S18	280.25
22	S19	287.25
23	S20	294.25
24	S21	303.25
25	S22	311.25
26	S23	319.25
27	S24	327.25
28	S25	335.25
29	S26	343.25
30	S27	351.25
31	S28	359.25



Index	Channel No.	Freq. (MHz)
32	S29	367.25
33	S30	375.25
34	S31	383.25
35	S32	391.25
36	S33	399.25
37	S34	407.25
38	S35	415.25
39	S36	423.25
40	S37	431.25
41	S38	439.25
42	S39	447.25
43	S40	455.25
44	S41	463.25

### PAL D/K (China)

Index	Channel No.	Freq. (MHz)
1	DS-1	49.75
2	DS-2	57.75
3	DS-3	65.75
4	DS-4	77.25
5	DS-5	85.25
6	Z-1	112.25
7	Z-2	120.25
8	Z-3	128.25
9	Z-4	136.25
10	Z-5	144.25
11	Z-6	152.25
12	Z-7	160.25
13	DS-6	168.25
14	DS-7	176.25
15	DS-8	184.25
16	DS-9	192.25
17	DS-10	200.25
18	DS-11	208.25
19	DS-12	216.25
20	Z-8	224.25
21	Z-9	232.25

Index	Channel No.	Freq. (MHz)
22	Z-10	240.25
23	Z-11	248.25
24	Z-12	256.25
25	Z-13	264.25
26	Z-14	272.25
27	Z-15	280.25
28	Z-16	288.25
29	Z-17	296.25
30	Z-18	304.25
31	Z-19	312.25
32	Z-20	320.25
33	Z-21	328.25
34	Z-22	336.25
35	Z-23	344.25
36	Z-24	352.25
37	Z-25	360.25
38	Z-26	368.25
39	Z-27	376.25
40	Z-28	384.25
41	Z-29	392.25
42	Z-30	400.25
43	Z-31	408.25
44	Z-32	416.25
45	Z-33	424.25
46	Z-34	432.25
47	Z-35	440.25
48	Z-36	448.25
49	Z-37	456.25
50	DS-13	471.25
51	DS-14	479.25
52	DS-15	487.25
53	DS-16	495.25
54	DS-17	503.25
55	DS-18	511.25
56	DS-19	519.25
57	DS-20	527.25
58	DS-21	535.25
59	DS-22	543.25
60	DS-23	551.25
61	DS-24	559.25
62	DS-25	567.25
63	DS-26	575.25

### **SECAM L, SECAM L'**

Index	Channel No.	Freq. (MHz)
2	2	55.75
3	3	60.5
4	4	63.75
11	SC-1	120
12	SC-2	128
13	SC-3	136
14	SC-4	144
15	SC-5	152
16	SC-6	160
17	SC-7	168
5	5	176
6	6	184
7	7	192
8	8	200
9	9	208
10	10	216
18	SC-8	224
19	SC-9	232
20	SC-10	240
21	SC-11	248
22	SC-12	256
23	SC-13	264
24	SC-14	272
25	SC-15	280
26	SC-16	288
27	SC-17	303.25
28	SC-18	315.25
29	SC-19	327.25
30	SC-20	339.25
31	SC-21	351.25
32	SC-22	363.25
33	SC-23	375.25
34	SC-24	387.25
35	SC-25	399.25
36	SC-26	411.25
37	SC-27	423.25
38	SC-28	435.25
39	SC-29	447.25
40	SC-30	459.25

DEUTSCH

ENGLISH

FRANÇAIS

ITALIANO

NEDERLANDS

SVENSKA

ESPAÑOL

PORTUGUÊS

DANSK

**Service-Nummern / Service numbers / Numéros du service après-vente / Numeri del servizio di assistenza / Servicenummers / Telefonnummer för service / Números de servicio / Números de serviço / Servicenumre**

<b>Country:</b>		<b>Phone:</b>	<b>Fax:</b>
Germany	(D)	0180-5000225	05121-49 4002
Austria	(A)	01-610 39 0	01-610 39 391
Belgium	(B)	02-525 5444	02-525 5263
Denmark	(DK)	44-898 360	44-898 644
Finland	(FIN)	09-435 991	09-435 99236
France	(F)	01-4010 7007	01-4010 7320
Great Britain	(GB)	01-89583 8880	01-89583 8394
Greece	(GR)	210 94 27 337	210 94 12 711
Ireland	(IRL)	01-46 66 700	01-46 66 706
Italy	(I)	02-369 62331	02-369 62464
Luxembourg	(L)	40 4078	40 2085
Netherlands	(NL)	0800 400 1010	0800 400 1040
Norway	(N)	66-817 000	66-817 157
Portugal	(P)	2185 00144	2185 00165
Spain	(E)	902 52 77 70	91 410 4078
Sweden	(S)	08-7501850	08-7501810
Switzerland	(CH)	01-8471644	01-8471650
Czech. Rep.	(CZ)	02-6130 0446	02-6130 0514
Hungary	(H)	76 511 803	76 511 809
Poland	(PL)	0800-118922	022-8771260
Turkey	(TR)	0212-335 06 71	0212-346 00 40
USA	(USA)	800-2662528	708-6817188
Brasil (Mercosur)	(BR)	0800 7045446	+55-19 3745 2773
Malaysia (Asia Pacific)	(MAL)	+604-6382 474	+604-6413 640

**Blaupunkt GmbH, Robert-Bosch-Straße 200, D-31139 Hildesheim**  
<http://www.blaupunkt.com>