

IDC A09

Operating and installation instructions (GB)



Deutsch

Übersichtsbild	3
Hinweise	4
Sicherheitshinweise	4
Einbau	5
Bedienung	7

English-GB

Overview diagram	3
Notes	8
Safety instructions	8
Installation	9
Operation	11

English-US

Overview diagram	3
Notes	12
Safety instructions	12
Installation	13
Operation	15

Français

Aperçu	3
Remarques	16
Consignes de sécurité	16
Montage	17
Utilisation	19

Italiano

Vista d'insieme	3
Indicazioni	20
Note di sicurezza	20
Montaggio	21
Comandi	23

Nederlands

Overzichtsfoto	3
Aanwijzingen	24
Adviezen voor de veiligheid	24
Montage	25
Bediening	27

Svenska

Översiktsbild	3
Allmänt	28
Skyddsanvisningar	28
Montering	29
Handhavande	31

Español

Vista general	3
Indicaciones	32
Normas de seguridad	32
Montaje	33
Manejo	35

Português

Vista de conjunto	3
Informações	36
Instruções de segurança	36
Montagem	37
Comando	39

Bitte ausklappen
Please fold out
Ouvrir s.v.p.
Prego aprire
Openslaan graag
Öppna
Desplegar aquí
Favor abrir

ÜBERSICHTSBILD/OVERVIEW DIAGRAM/ APERÇU/VISTA D'INSIEME/ OVERZICHTSFOTO/ÖVERSIKTSBILD/ VISTA GENERAL/VISTA DE CONJUNTO



- ① - ⑤ CD-Schächte
CD Compartments
Compartiments CD
Vano di CD
Cd-Openingen
Cd-fack
Bandejas
Compartimentos

- ⑥ - ⑩ Select-/Eject-Knöpfe
Select/eject button
Boutons Select / Eject
Tasti di selezione/espulsione
Select-/eject-toetsen
Fack-/Ejectknappar
Botones Select/Eject
Botões de selecção/ejecção

Thank you for deciding to use a Blaupunkt product. We hope you enjoy using this new piece of equipment.

Please read these operating instructions before using the equipment for the first time.

The Blaupunkt editors are constantly working on making the operating instructions clearer and easier to understand. However, if you still have any questions on how to operate the equipment, please contact your dealer or the telephone hotline for your country. You will find the hotline telephone numbers printed at the back of this booklet.

We provide a manufacturer guarantee for our products bought within the European Union. You can view the guarantee conditions at www.blaupunkt.de or ask for them directly at:

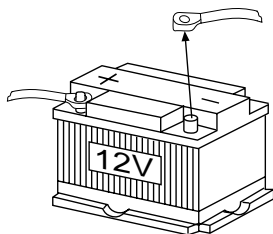
Blaupunkt GmbH
Hotline CM/PSS 6
Robert Bosch Str. 200
D-31139 Hildesheim

Safety instructions

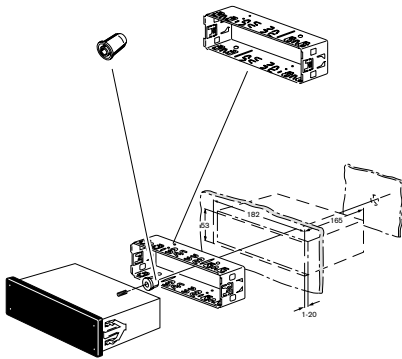
When carrying out installation work and making connections please observe the following safety instructions:

- Electronic vehicle systems may fail if they are incorrectly installed or serviced.
- Disconnect the negative terminal of the battery! When doing so, please observe the vehicle manufacturer's safety instructions.
- Make sure you do not damage vehicle components when drilling any holes.
- Depending on the model, your vehicle may differ from the description provided here. We accept no responsibility for any damages due to incorrect installation or connection or for any consequential damages.

If the information provided here is not suitable for your specific installation requirements, please contact your Blaupunkt dealer, your vehicle manufacturer or our telephone hotline.



Supplied installation materials



Recommended location for installation

Dashboard
Vehicle boot

Installation position

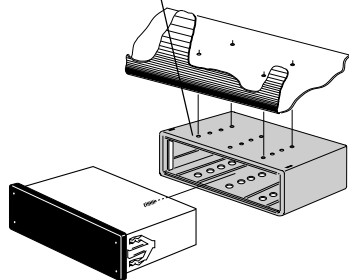
From -10° to 105°

Recommended accessories

Extension cable 1.3 m
7 607 621 154

Extension cable 6 m
7 607 621 155

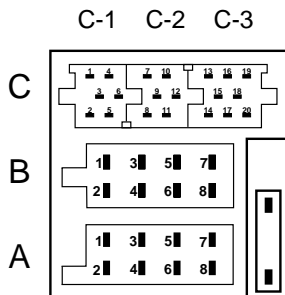
Universal mounting frame
7 608 002 377



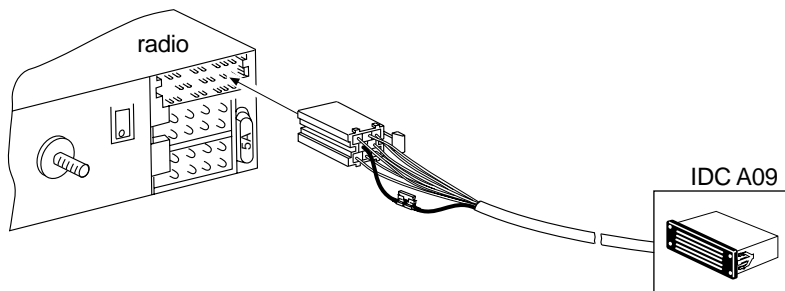
Spacer installation frame 6 mm
7 608 002 076

Spacer installation frame 10 mm
7 608 002 176

INSTALLATION



C3	
13	CDC Data-IN
14	CDC Data-OUT
15	+12V Permanent
16	+12V switch voltage (max. 300mA)
17	CDC Data-GND
18	CDC AF/AUX-GND
19	CDC AF/AUX-L
20	CDC AF/AUX-R



Inserting a CD

When you connect the CD changer for the first time, please wait approximately 1 minute before inserting a CD.

Insert one CD with the printed side up into each of the compartments ①-⑤. The buttons will now light up green.

Selecting a CD

To listen to a particular CD, press the corresponding select/eject button ⑥-⑩ for less than 1 second.

Removing a CD

To remove a CD from compartments ①-⑤, press the corresponding select/eject button ⑥-⑩ for longer than 1 second. The button light will go out.

If a CD is being played, e.g. CD 5, you can insert or eject any of the remaining CDs in compartments ①-④. During this time, CD playback is interrupted for 5 seconds.

Notes on CD mode

You must not play shaped CDs (non-round, virtual) or CDs with a diameter of 8 cm with or without an adapter ring.

For further operating details, please refer to your car radio's operating instructions.

Service-Nummern / Service numbers / Numéros du service après-vente / Numeri del servizio di assistenza / Servicenummers / Telefonnummer för service / Números de servicio / Números de serviço / Servicenumre

Country:	Phone:	Fax:	WWW:
Germany	(D) 0180-5000225	05121-49 4002	http://www.blaupunkt.com
Austria	(A) 01-610 390	01-610 393 91	
Belgium	(B) 02-525 5454	02-525 5263	
Denmark	(DK) 44 898 360	44-898 644	
Finland	(FIN) 09-435 991	09-435 99236	
France	(F) 01-4010 7007	01-4010 7320	
Great Britain	(GB) 01-89583 8880	01-89583 8394	
Greece	(GR) 0800-550 6550	01-576 9473	
Ireland	(IRL) 01-4149400	01-4598830	
Italy	(I) 02-369 6331	02-369 6464	
Luxembourg	(L) 40 4078	40 2085	
Netherland	(NL) 023-565 6348	023-565 6331	
Norway	(N) 66-817 000	66-817 157	
Portugal	(P) 01-2185 00144	01-2185 11111	
Spain	(E) 902-120234	916-467952	
Sweden	(S) 08-7501500	08-7501810	
Switzerland	(CH) 01-8471644	01-8471650	
Czech. Rep.	(CZ) 02-6130 0441	02-6130 0514	
Hungary	(H) 01-333 9575	01-324 8756	
Poland	(PL) 0800-118922	022-8771260	
Turkey	(TR) 0212-3350677	0212-3460040	
USA	(USA) 800-2662528	708-6817188	
Brasil (Mercosur)	(BR) +55-19 3745 2769	+55-19 3745 2773	
Malaysia (Asia Pacific)	(MAL) +604-6382 474	+604-6413 640	

Blaupunkt GmbH



IDC A09

with encoding

Operating and installation instructions (GB)



ÜBERSICHTSBILD/OVERVIEW DIAGRAM/ APERÇU/VISTA D'INSIEME/ OVERZICHTSFOTO/ÖVERSIKTSBILD/ VISTA GENERAL/VISTA DE CONJUNTO



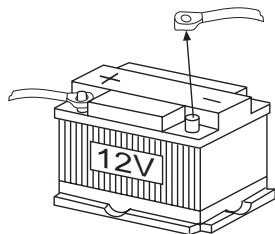
- ① - ⑤ CD Schächte,
CD Compartments,
Compartiments CD,
Vano di CD,
Cd-öpeningen,
Cd-fack,
Bandejas,
Compartimentos

- ⑥ - ⑩ Eject-Knöpfe,
Eject buttons,
Bouton d'éjection,
Tasto di espulsione,
Eject-toetsen,
Utmatningsknappar,
Botones de expulsión,
Botão de ejeção

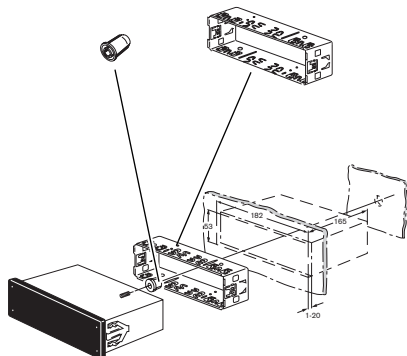
INSTALLATION

Safety notice

- Electronic vehicle systems may fail if they are incorrectly installed or serviced.
- Disconnect the negative terminal of the battery before installing or removing any equipment.
- When drilling any holes, ensure that no vehicle components are damaged.



Supplied installation materials



Recommended location for installation

Dashboard
Vehicle boot

Installation position

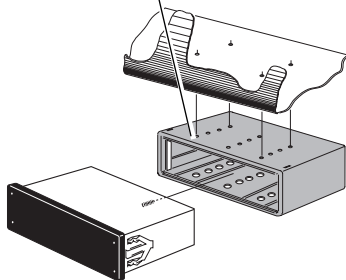
From -10° to 105°

Recommended accessories

Extension cable 1.3 m
7 607 621 154

Extension cable 6 m
7 607 621 155

Universal mounting frame
7 608 002 377



Spacer installation frame 6 mm
7 608 002 076

Spacer installation frame 10 mm
7 608 002 176

Theft protection

The IDC A09 is equipped with a theft protection system that is supported by several car radios.

Radios supporting this system show "CDC-CODE" in their displays when the CD changer is selected.

The methods for activating and deactivating the theft protection system when the changer is installed or uninstalled are described on pages 10 - 11.

Inserting a CD

Insert one CD with the printed side up into each of the compartments ①-⑤.

Ejecting a CD

Press the eject button ⑥-⑩ that corresponds with the CD you want to remove from compartments ①-⑤.

If a CD is being played, e.g. CD 5, you can insert or eject any of the remaining CDs in compartments ①-④.

For further operating details, please refer to your car radio's operating instructions.

Activating the code for car radios with a key card

The master code is printed on your IDC A09 pass card.

1. Switch on the radio.
2. Press the **CDC** button.
The following appears briefly in the display:
"CDC-CODE"
The display then changes to:
"0000"
3. You can set digits 0-9 using the \wedge / \vee buttons.
You can move from one digit to the next by pressing the \ll / \gg buttons.

Example 1234:

- a) Press the \wedge button once.
 - b) Press the \gg button once.
 - c) Press the \wedge button twice.
 - d) Press the \gg button once.
 - e) Press the \wedge button three times.
 - f) Press the \gg button once.
 - g) Press the \wedge button four times.
4. Once you have correctly entered the entire code, confirm your entry by pressing the **ENT** button.

Activating the code for car radios that have a fixed code

The master code is printed on your IDC A09 pass card.

1. Switch on the radio.
2. Press the **CDC** button.
The following appears briefly in the display:
"CDC-CODE"
The display then changes to:
"0000"
3. You can enter the master code by pressing the station buttons 1-4.

Example 4321:

- a) Press station button 1 four times.
 - b) Press station button 2 three times.
 - c) Press station button 3 twice.
 - d) Press station button 4 once.
4. Once you have correctly entered the entire code, confirm your entry by pressing the search button **Λ** once.

Before uninstalling the IDC A09 and using it with a different car radio, you must first of all decode the IDC A09.

Decoding using a car radio that has a key card

The master code is printed on your IDC A09 pass card.

1. Switch on the radio.
2. Press the **CDC** button.
3. Press the IDC A09's eject buttons 2+5 simultaneously, keep them pressed for at least 1 second and then release them.

The IDC A09 stops playing.

The red LEDs for all the eject buttons begin to light up.

4. Switch off the radio.
5. Switch on the radio again.
The following appears briefly in the display:
"CDC-CODE"
The display then changes to:
"0000"
6. You can set digits 0-9 using the **Λ/V** buttons.
You can move from one digit to the next by pressing the **<< / >>** buttons.

Example 1234:

- a) Press the **Λ** button once.
 - b) Press the **>>** button once.
 - c) Press the **Λ** button twice.
 - d) Press the **>>** button once.
 - e) Press the **Λ** button three times.
 - f) Press the **>>** button once.
 - g) Press the **Λ** button four times.
7. Once you have correctly entered the entire code, confirm your entry by pressing the **ENT** button.

The red LEDs for all the eject buttons begin to light up.

Switch off the radio (**do not switch it on again**).

The IDC A09's code is now deactivated.

You may now remove the IDC A09.

Decoding using a car radio that has a fixed code

The master code is printed on your IDC A09 pass card.

1. Switch on the radio.
2. Press the **CDC** button.
3. Press the IDC A09's eject buttons 2+5 simultaneously, keep them pressed for at least 1 second and then release them.

The IDC A09 stops playing.
The red LEDs for all the eject buttons begin to light up.

4. Switch off the radio.
5. Switch on the radio again.
The following appears briefly in the display:
"CDC-CODE"
The display then changes to:
"0000"
6. You can enter the master code by pressing the station buttons 1-4.

Example 4321:

- a) Press station button 1 four times.
 - b) Press station button 2 three times.
 - c) Press station button 3 twice.
 - d) Press station button 4 once.
7. Once you have correctly entered the entire code, confirm your entry by pressing the search button **Λ** once.

The red LEDs for all the eject buttons begin to light up.

Switch off the radio (**do not switch it on again**).

The IDC A09's code is now deactivated.

You may now remove the IDC A09.

Service-Nummern / Service numbers / Numéros du service après-vente / Numeri del servizio di assistenza / Servicenummers / Telefonnummer för service / Números de servicio / Número de serviço

	Tel.:	Fax:
Deutschland	018 050 002 25	051 214 940 02
Belgique	025 255 444	025 255 448
France	014 010 70 07	014 010 73 20
Nederland	023 565 63 48	023 565 63 31
Great Britain	018 958 383 66	018 958 383 94
Danmark	44 89 83 60	44 89 86 44
Sverige	08 750 15 00	08 750 18 10
Norway	66 81 70 00	66 81 71 57
Suomi	094 359 91	094 359 92 36
Österreich	045 989 90 28	016 103 93 91
Greece	015 762 241	015 769 473
Česká republika	026 130 04 41	026 130 05 14
USA	800-266 25 28	708-681 71 88
Singapore	006 535 054 47	006 535 053 12
Slovensko	042 175 873 212	042 175 873 229

Blaupunkt-Werke GmbH
Bosch Gruppe

