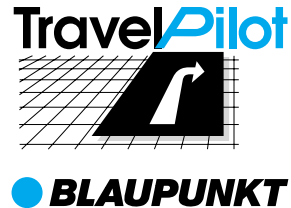


# TravelPilot RNS 149

Installation instructions



**● BLAUPUNKT**



**● BLAUPUNKT**  
Bosch Gruppe



## Safety information

- Faulty installation or servicing of this equipment may result in malfunctions in the vehicle's electronic systems.
- To prevent damage to your TravelPilot, be sure to use the correct adapter cable to connect the vehicle 8-pin +/- ISO plug.

Observe the following safety information while installing and connecting the system:

- Disconnect the negative terminal of the battery.
- In doing so, observe the safety information provided by the vehicle manufacturer.
- Make sure not to damage any vehicle parts when you drill holes.
- The cross-section of the positive and negative wiring must not be less than 1.5 mm<sup>2</sup>.
- Use wire bushings for sharp-edged holes.
- The TravelPilot can be used in vehicles with:
  - 12 V battery power
  - Negative pole on the chassis

## Information on proper functioning

To ensure that the TravelPilot functions properly, it is essential that the system be calibrated after it has been completely installed (see Operating instructions / Contents / Calibration).

The system determines the distance travelled via its connection to the vehicle speedometer signal. If there is no speedometer signal, it will be necessary to have a route sensor mounted by an authorised customer service centre.

In this case you will have to order a sensor kit (route sensor, magnet strip, bracket and plug) from your dealer.  
Order-No.: 7 607 611 093

## 1. Power supply

### 1.1 Connection to the vehicle ISO standard plug

To prevent electrical malfunctions in vehicle ISO plugs, you have to use the universal ISO adapter cable (Order-No. 7 607 621 126) (see Fig. 1).

The following vehicles with ISO standard connections can currently be fitted with the universal ISO adapter cable: Alfa Romeo, Citroen, Fiat, Honda, Lancia, Mercedes, Peugeot, Porsche, Renault, Skoda.

For other vehicles with vehicle ISO plugs, use the vehicle-specific ISO adapter cables, e.g. for Audi, Skoda, VW with active antennas (Order-No. 7 607 621 129) (see Fig. 2).

### 1.2 Power connection to vehicle-specific plugs

If the radio connection in your vehicle was fitted with a 10A fuse at the factory (see operating instructions or the fuse box in your car.), you will still need the vehicle-specific adapter cable (see Fig. 3).

## 2. Connecting the speakers

### 2.1 Connecting the speakers to the ISO standard plug

In vehicles pre-equipped with passive speakers (with 4-ohm speakers) you can adapt the ISO plug in the vehicle. If necessary, the ISO cable (Order-No.7 607 647 093) can be used for extra length (see Fig. 4). Order special adapter cables from your dealer for vehicles pre-equipped with active speakers.

### 3. Installing the antenna

Connect the antenna wiring to the enclosed bracket (see Fig. 5).

#### 3.1 Radio antenna

In pre-equipped vehicles (e.g.: VW, Seat, Audi), the antenna gets its power supply via the antenna wire (see the vehicle operating instructions). If you want to replace the OEM radio with a conventional radio, you will have to order an antenna supply diplexer (Order-No. 7 691 290 202) or the adapter cable (Order-No. 7 607 621 129) from your dealer. You will find information on the installation and connection of the antenna in the antenna installation instructions. (see Fig. 5).

#### 3.2 GPS antenna (satellite navigation)

You will find information on how to install the antenna in the enclosed antenna installation instructions.

If the GPS antenna is installed inside the vehicle, we cannot guarantee that the system will function correctly.

### 4. Installing the TravelPilot

#### 4.1 Setting the Gyro

**Important:** Before the TravelPilot is inserted, the gyroscope must be put in a horizontal position (see Fig. 8).

**Important:** Installation position of the TravelPilot: right / left: min. 5° / max. +5°, front to back: min. -10° / max. +30°

The **TravelPilot** is installed in the standard car radio compartment provided by the manufacturer (see Fig. 5).

For vehicles without a DIN compartment, Blaupunkt offers vehicle-specific installation kits for 50/52 mm units for the most popular vehicle models. Please check the installation conditions in your vehicle and use a vehicle-specific installation kit if necessary.

#### 4.2 Installing the bracket

The bracket included with this TravelPilot allows you to install the system in vehicles with a DIN car radio compartment measuring 182 x 53 x 165 mm and an instrument panel which is 1 to 20 mm in the area where the fastener tabs are located, (see Fig. 1). For the installation, you have to push the bracket into the compartment and de-

termine which fastener tabs you can bend over with a screwdriver (see Fig. 6).

**Note:** Bend over as many of the fastener tabs as possible.

#### 4.3 Installing the TravelPilot

Push all of the plugs into the sockets until they lock into place. Now insert the navigation system from the front into the bracket. Apply gentle pressure to both side edges and push it in until the spring locks snap into position on the right and left (you will hear a loud click).

**Important!** When you push in the system, make sure that you do not put any pressure on the display, the knobs or the keys!

#### 4.4 Removing the TravelPilot

Insert the handles into the corresponding holes on the left and right side of the front panel and push them in until you hear a loud click (unlocking the side spring locks). Use both handles to carefully pull the TravelPilot out of the compartment. Now you can pull out the connection cables by applying

pressure on the side of the plug (see Fig. 7).

**Note:** Once the handles have locked into place, they cannot be removed until you pull the TravelPilot out of the compartment.

## 4.5 Connecting the back-up light signal wire

The back-up light signal wire connects the system to the vehicle back-up light. Make sure that this connection is charged with 12 volts when the vehicle is reversing.

**Important:** We assume no liability for faulty connections and their consequences!

## 4.6 Connecting the speedometer signal

**Important :** Only an authorised customer service centre should make this connection.

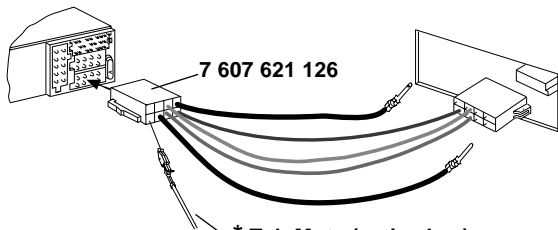
The speedometer signal wire connects the system to the vehicle-specific speedometer signal connection.

**Important :** We assume no liability for faulty connections and their consequences!

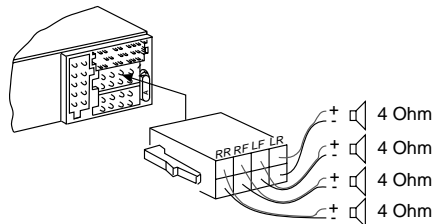
## 5. Connection diagrams

Power connection to the vehicle ISO standard plug .....	Fig.1/2
Power connection to the vehicle-specific plug .....	Fig.3
Speaker connection	
4 speakers (4 $\Omega$ /35 W) .....	Fig.4
Antenna connection .....	Fig.5
TravelPilot installation .....	Fig.6/6a
TravelPilot removal .....	Fig.7
Setting the gyroscope .....	Fig.8
Connection assignments .....	Fig.9
Connecting the sensors .....	Fig.10

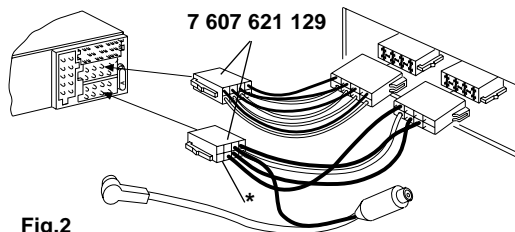
# Installation instructions



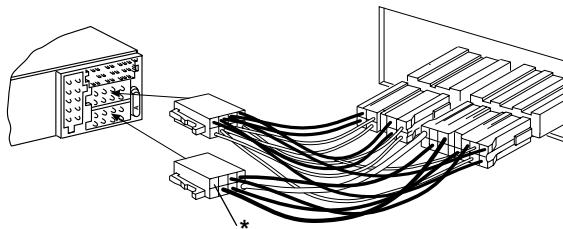
**Fig.1** \* Tel.-Mute (active low)



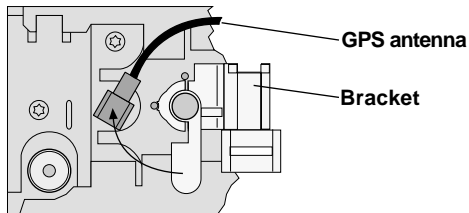
**Fig.4**



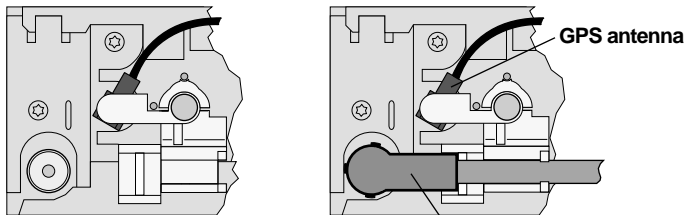
**Fig.2**



**Fig.3**



**1.**



**2.**

**Fig.5**

**3. Radio antenna**

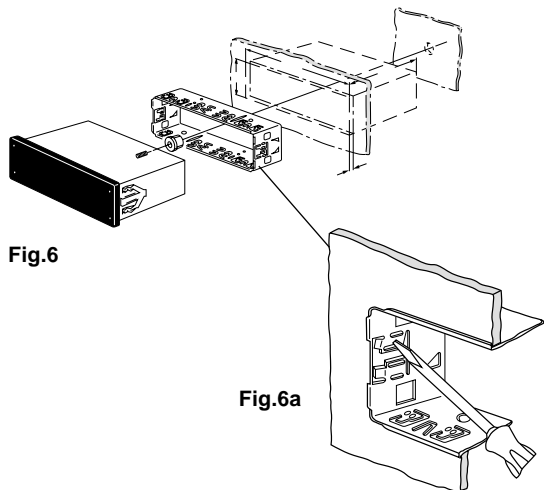


Fig.6

Fig.6a

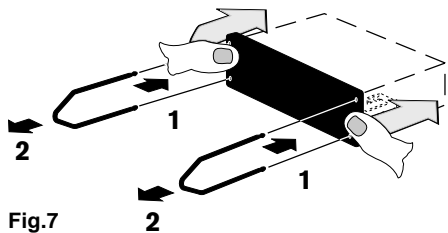


Fig.7

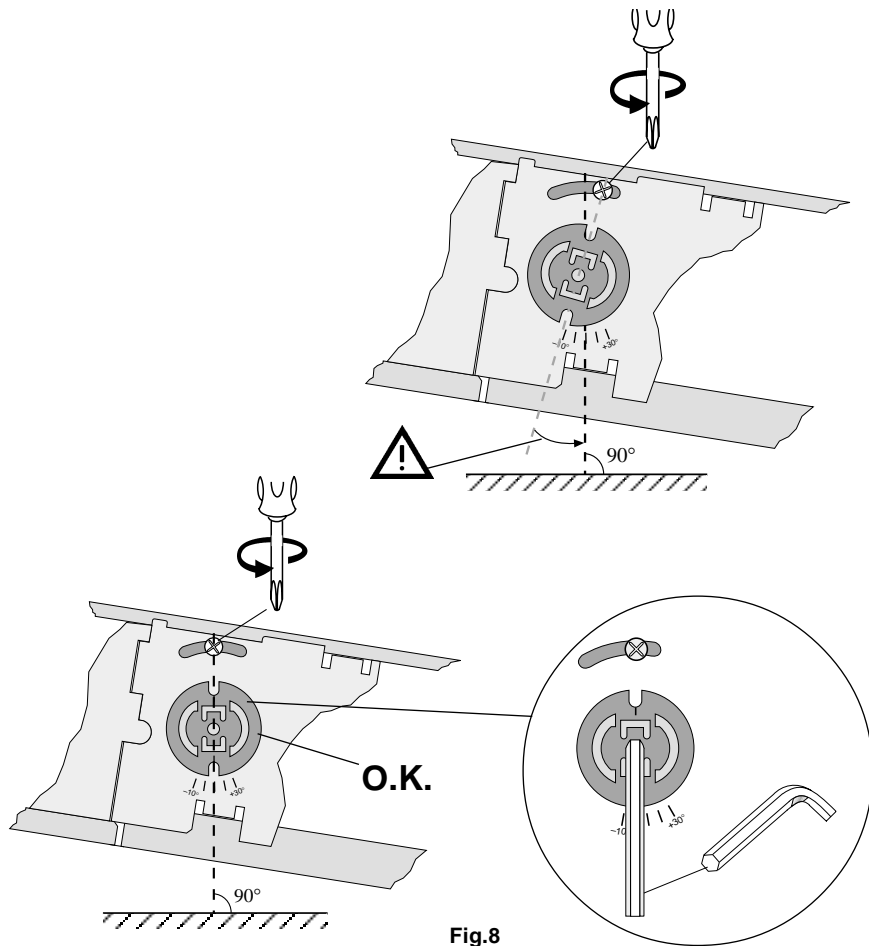
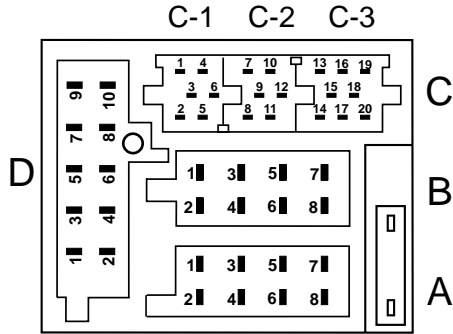


Fig.8

# Installation instructions



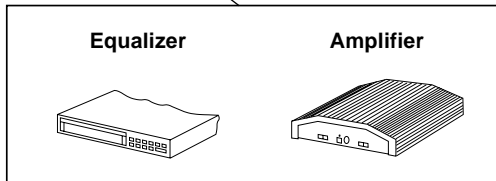
A		B	
1	Gala/Tacho	1	Speaker out RR+
2	Tel.-Mute (active low)	2	Speaker out RR-
3	RFLS	3	Speaker out RF+
4	Permanent +12V	4	Speaker out RF-
5	Aut. antenna	5	Speaker out LF+
6	Illumination	6	Speaker out LF-
7	Ignition	7	Speaker out LR+
8	Ground	8	Speaker out LR-

D	
1	GND
2	—
3	—
4	—
5	—
6	—
7	Sensor
8	—
9	Sensor
10	—

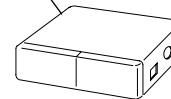
Wheel sensor

C					
C1		C2		C3	
1	Line Out LR	7	—	13	CDC Data-IN
2	Line Out RR	8	—	14	CDC Data-OUT
3	Line Out GND	9	—	15	+12V Permanent
4	—	10	+12V switched voltage (max. 150mA)	16	+12V switch voltage (max. 300mA)
5	—	11	Remote Control-In	17	CDC Data-GND
6	+12V switch voltage (max 150mA)	12	Remote Control-GND	18	CDC AF/AUX-GND
				19	CDC AF/AUX- L
				20	CDC AF/AUX- R

Fig.9



RC 06



CD changer

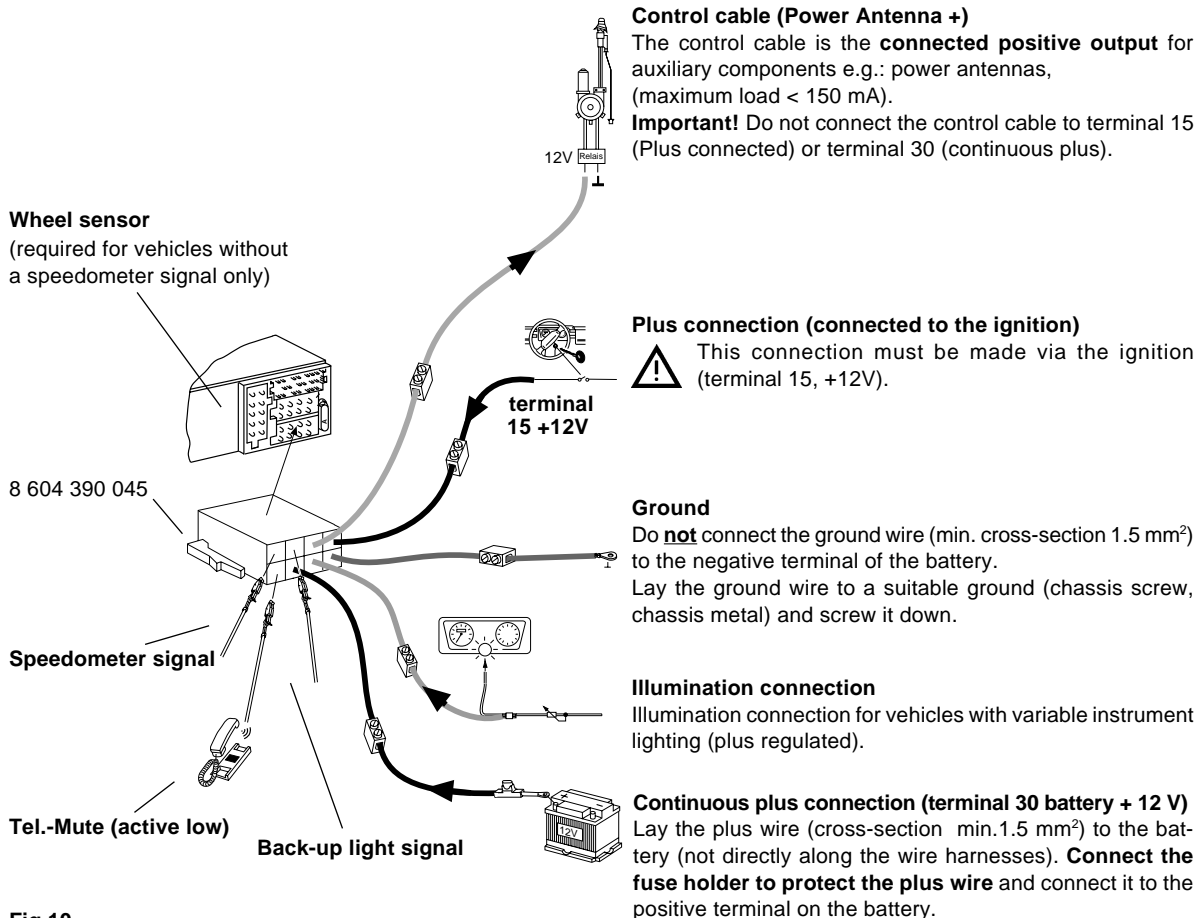


Fig.10

This information is subject to change without notice!