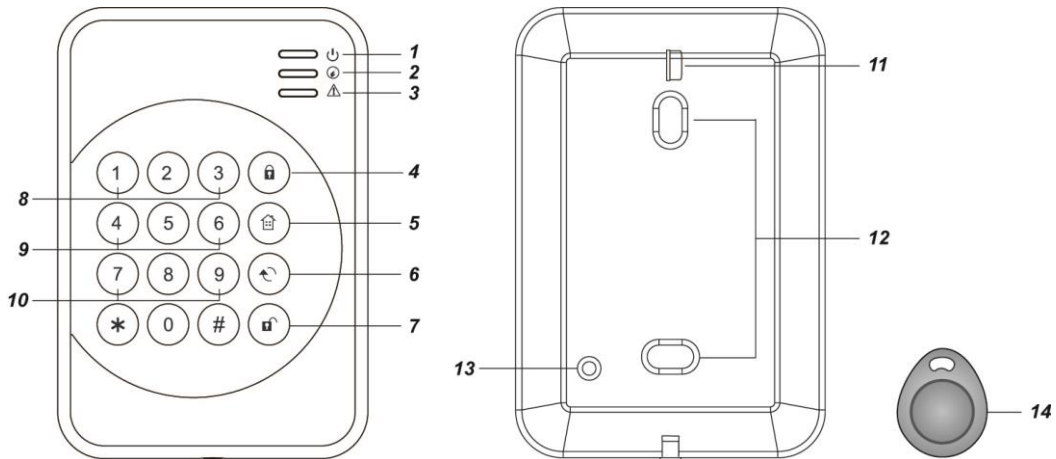


# Wireless Remote Keypad with Proximity Tags (KPT-S1)



## Parts Description

**1. Active LED (Blue/Orange)**

**2. Status LED (Blue/Red)**

**3. Fault LED (Orange)**

**4. Away Arm Key**

**5. Home Arm Switch**

**6. Status Key**

**7. Disarm Key**

**8. Panic Alarm**

Press both 1 and 3 key to trigger Panic alarm

**9. Fire Alarm**

Press both 4 and 6 key to trigger Fire alarm

**10. Emergency Alarm**

Press both 7 and 9 key to trigger Emergency alarm

**11. Battery Insulator**

**12. Mounting Knockouts**

**13. Tamper Switch**

The Tamper switch protects the PIR from unauthorized cover opening.

**14. RFID TAG**

## Package Content

1 x Remote Keypad

2 x wall plugs and screws

2 x RFID Tags

1 x 3V lithium batteries (pre-installed)

## Learning

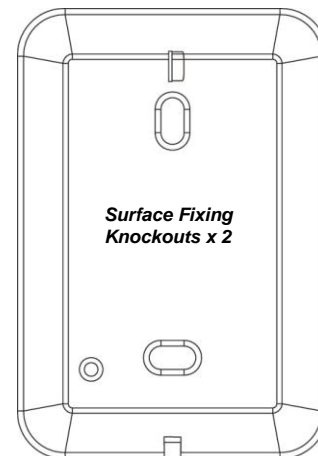
For learning the Remote Keypad:

1. Put the Control Panel into learning mode.
2. Press both # and \* keys to transmit learn code
3. Refer to Control Manual to complete the learning process.

## Installation

The Remote Keypad has 2 knockouts on the back where plastic is thinner for wall mounting.

1. Use the two knockouts on the back to mark position on the wall at chest height. Open the back cover.
2. Drill holes into the wall using the knockouts as template.
3. Fix the keypad base onto the wall with the screw and plugs provided.
4. Replace the keypad cover onto the base.



## Operation

### Standby Mode

The Remote Keypad features a power saving feature. When no key is pressed for 5 seconds, the Remote Keypad will turn off automatically to conserve power. When any key is pressed, the Remote Keypad will wake up and turn on Active LED to indicate it is now under normal operation

### Keypad Setting

The Remote Keypad features a Test (programming) mode for you to customize its setting. Before you start using the Remote Keypad, you should first finish configuration setting.

The Remote Keypad also feature a Keypad PIN code which is used to access the Test mode, To enter Test Mode, Enter "0000"(Default Keypad PIN code) + "\*" key, the Active Orange LED will light up

Under Test Mode, the following functions include:

Key	Function
"*" + "1"	Tag Management
"*" + "7"	Transmit learn code (same as pressing both # and * keys under normal mode)
"*" + "2"	Enable dual key Panic Alarm function

" * " + "3"	Enable dual key Fire Alarm function
" * " + "4"	Enable dual key Medical Alarm function
" * " + "5"	Disable all dual key functions
" * " + "6"	Change Keypad PIN Code: 1. Enter old code + "Status" Key 2. Enter new 4-digit code + "#" key
" * " + "8"	Enable Arming without Use PIN code function
" * " + "9"	Enable Arm with User PIN code function <b>(Default)</b>
" * " + "0"	Enable Arming with KP PIN code function
"Disarm" twice	To leave Test Mode

### RFID TAG Management

The Keypad can function with the RFID tags included in the package. By assigning User PIN Code to a Tag, you can use the Tag to Arm/Home/Disarm the Control Panel with a simple swipe.

Up to 6 tags can be stored in the Keypad and assigned to User PIN Codes for panel control:

#### Add New Tag:

1. Enter Keypad Test Mode.
2. Enter " \* "+"1" for Tag Management. Red Status LED will light up.
3. Enter a 4-digit "Control Panel User PIN Code" + "#" key.

Status RED LED flashes	Success
Status Blue LED flashes with 4 beeps	Error: Wrong PIN Code length
Status Red LED flashes with 4 beep	Error: Keypad already stored 6 Tags

4. Put the TAG close to the Keypad when Status Red LED is flashing.

Status RED LED On with 2 beeps	Success
Status Red LED On with 1 bee	Same PIN Code already assigned to this Tag
Status Red LED On with 4 beeps	Error: Tag already assigned to another User PIN Code

5. After finish adding new Tag, press "Disarm" key to exit Tag Management.

#### Remove Existing Tag:

1. Enter Keypad Test Mode.
2. Enter " \* "+"1" for Tag Management. Red Status LED will light up.
3. Enter the User PIN Code of the Tag you want to remove, then press the Status key.
4. The Keypad will emit a long beep, the Tag info is removed.

### Arm/Home/Disarm

If Remote Keypad is set to "Arm with Use PIN code" (" \* " + "9" under Test Mode)

Away Arm	1. Enter a Control Panel User PIN Code + "Arm" Key. 2. Press "Arm" Key + put Tag on Keypad.
Home Arm	1. Enter a Control Panel User PIN Code + "Home" Key. 2. Press "Home" Key + put Tag on Keypad.
Disarm	1. Enter a Control Panel User PIN Code + "Disarm" Key. 2. Press "Disarm" Key + put Tag on Keypad.

If Remote Keypad is set to "Arm without Use PIN code" (" \* " + "8" under Test Mode)

Away Arm	Press "Arm" Key
Home Arm	Press "Home" Key
Disarm	Enter a Control Panel User PIN Code +

	"Disarm" Key
--	--------------

If Remote Keypad is set to "Arm with Keypad PIN code" (" \* " + "0" under Test Mode)

Away Arm	Enter Keypad PIN Code + "Arm" Key
Home Arm	Enter Keypad PIN Code + "Home" Key
Disarm	Enter Keypad PIN Code + "Disarm" Key

### Checking Control Panel Status

Press the Status key to inquire Control Panel status, the Status LED will light up according to Control Panel mode

Red LED On	Away Arm mode
Red LED Flash	Home Arm mode
Blue LED on	Disarm mode

### Dual Key Alarm Function

Dual Key Alarm function will activate alarm when both keys are pressed at the same time. To use the functions, please enable them under Test Mode. (Default are disabled)

"1" + "3"	Panic Alarm
"4" + "6"	Fire Alarm
"7" + "9"	Emergency Alarm

### LED Indicators

#### ● Active LED

The Active LED light up whenever any key is pressed.

Off	Keypad in Standby Mode
Blue LED On	Keypad in Normal Operation
Blue LED Flash	Keypad in Normal Operation and under Low Battery
Orange LED On	Keypad in Test Mode
Orange LED Flash	Keypad in Test Mode and under Low Battery

#### ● Status LED

The Status LED light up during operation or when the "Status" key is pressed to inquire Control Panel status

Red LED On	Away Arm mode
Red LED Flash	Home Arm mode
Blue LED On	Disarm mode
Blue LED Flash	No reply from Control Panel Incorrect PIN code Request for Home arm when under Away arm mode Request for Force Arm

#### ● Fault LED

The Fault LED light up whenever faults are detected in the alarm system.

Orange LED On	Alarm in memory
Orange LED Off	Fault exists in system

### Battery

The Remote Keypad uses one 3V lithium battery as its power source. It also features low battery detection function to notify the Control Panel when battery voltage is low.

When the Remote Keypad is on low battery, follow the procedure below to change the batteries.

1. Open the back cover
2. Remove the old batteries
3. Press any key several times to fully discharge.
4. Insert the new batteries observing correct polarity.
5. Replace the back cover.

### Factory Reset

If you forget your Keypad PIN code, or the Remote Keypad has any problem, you can reset the Remote Keypad to factory default.

1. Open the back cover and remove the battery
2. Press and hold "3" key and insert battery

3. The Remote Keypad will sound 3 short beeps
4. Release "3" key, the reset process is now complete

## **Specification**

### **Environmental Condition**

-10°C to 40°C, relative humidity 85% non-condensing.

### **Radio**

868 MHz