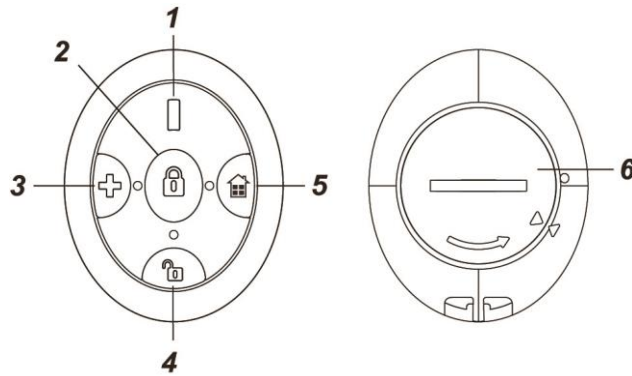


Wireless Remote Controller (RC-S3)



Parts Description

1. LED Indicator

The LED Indicator will light up when any button is pressed.

2. Arm Button

Press the button to arm the alarm system in Away Arm mode.

3. Emergency Button

Press and hold the button for 3 seconds to activate an Emergency alarm at any time.

4. Disarm Button

Press the button to disarm the alarm system.

5. Home Arm Button

Press the button to arm the alarm system in Home Arm mode.

6. Battery Cover

Package Content

1 x Remote Controller

1 x CR2032 3V lithium battery

Specification

Environmental Condition

-10°C to 40°C, relative humidity 85% non-condensing.

Radio

868 MHz

Learning

Put the Control Panel into learning mode, then press the learn button to transmit learn code. Please refer to Control Panel manual for device programming instruction.

Operation

Disarming the System

The Remote Controller cannot disarm the Emergency Alarm triggered by itself.

Battery

The Remote Controller uses one CR2032 3V lithium battery as its power source. It also features low battery detection function to notify the Control Panel when battery voltage is low.

To insert or change battery, follow instruction below:

1. Use a coin into the slot on the back cover, turn counter-clockwise to loosen and remove the cover.
2. Insert the battery provided with "+" side facing upward.
3. Replace the back cover and turn with a coin clockwise to tighten.

