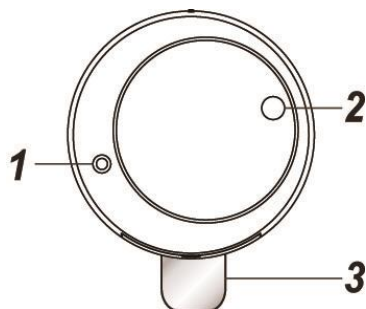


# Wireless Shock, Vibration & Glass Break Sensor (SVGS-S2)



## Parts Description

1. Learn
2. LED indicator
3. Battery Insulator

## Package Content

- 1 x Sensor Main Body
- 1 x Double-side adhesive tape
- 1 x 3V lithium battery(pre-installed)

## Learning

1. Pull out the battery insulator to activate battery.
2. Put the Control Panel into learning mode, refer to panel manual for detail.
3. Press and hold the Learn Button with a sharp tool.
4. Wait a few seconds, the panel will confirm the successful learning. Refer to panel manual to complete the learning process.

## Installation

The Sensor should only be mounted on glass, do not mount on other materials.

A strip of double-side adhesive tape is provided in the package for installing the sensor.

1. The Sensor should be installed at inside of the window, at the corners.
2. Apply the tape on the back side (opposite side of LED and Learn Button) of the Sensor, then apply the sensor onto the glass

## Operation

### Alarm Activation

When the sensor detects vibration, it will notify the Control Panel immediately. The panel will activate burglar alarm according to the sensor's attribute setting.

### Detection Range

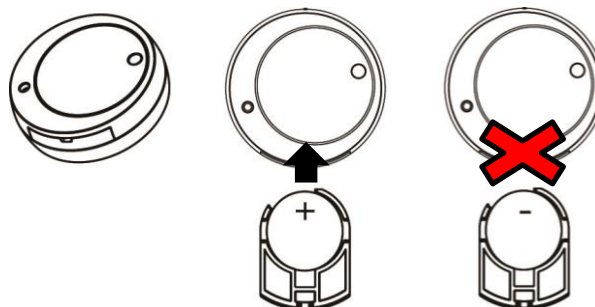
The Sensor has an approximate range of **2.5** meters when installed on glass. The detection range may vary according to glass thickness and material.

## Battery

The PIR uses one 3V CR2032 lithium coin cell as its power source. Remove the battery insulator to activate battery. It also features low battery detection function to notify the Control Panel when battery voltage is low.

When the Sensor is on low battery, follow the procedure below to change the batteries.

1. Pull out the battery slot with a sharp tool.
2. Remove the old battery.
3. Insert the new battery, the positive (+) side of the battery must face upward. Do **NOT** insert the battery with negative (-) side facing upward.



## Battery Saving Guideline

The Sensor is wirelessly connected with the Control Panel at all time. When the Sensor loses connection with the Control Panel, it will actively search for the Control Panel, which will consume extra power and greatly reduces battery life. In order to avoid unnecessary power consumption, please follow the guidelines below:

1. Ensure the Control Panel is powered on before removing the battery insulator. Always learn in the Sensor immediately after activating the battery.
2. Ensure the Control Panel is powered on and within signal range when the Sensor is powered on.
3. When you removed the Sensor from the Control Panel, make sure to remove the batteries from the Sensor too.

## Specification

### Environmental Condition

-10°C to 40°C, relative humidity 85% non-condensing.

### Radio

868 MHz