

**BLAUPUNKT**



HEADREST MONITOR  
**FLORENCE 910 HRM**



***Enjoy it.***

**Operating and Installation Instructions**

## **Attention**

---

Contents and instructions are subject to change.

Ensure all wires are connected properly, and that the unit is functioning well before fitting the unit into the mount.

Any unauthorized installation, modification or repair may cause malfunction to the unit and void of warranty coverage.

Consult authorized dealer if installation requires modifications on the vehicle.

Do not expose monitor to high heat, sunlight, dust, dirt or excessive vibration.

Keep monitor dry and clean.

Reset or restart unit in case of program error.

### **Disclaimer**

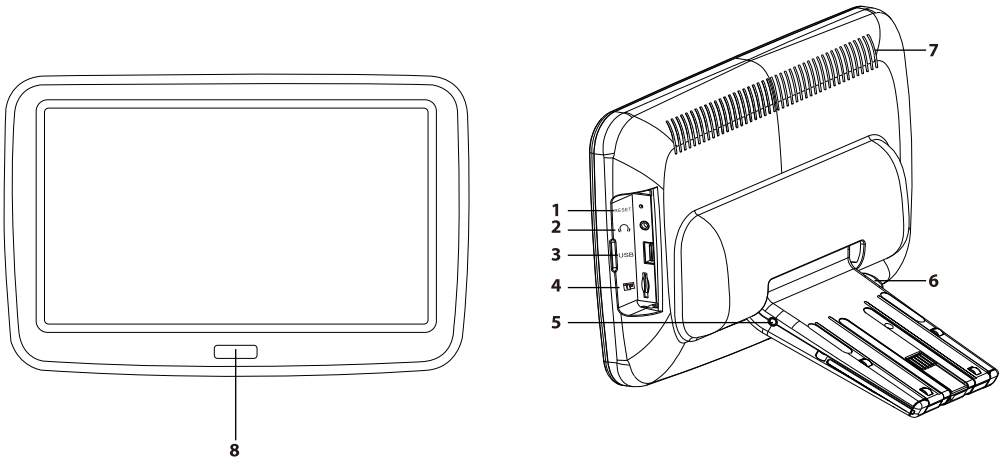
In no event shall Blaupunkt be liable for any direct, indirect, punitive, incidental, special consequential damages, to property or life, improper storage, whatsoever arising out of or connected with the use or misuse of our products.

USA & CANADA : Product not intended for sale in the United States and Canada. If purchased in the U.S. or Canada, this product is purchased as-is. No warranty, express or implied is provided in the U.S. and Canada.

Visit [www.blaupunkt.com/ase](http://www.blaupunkt.com/ase) for more information.

# Features

---



Mercedes-Benz plug & play OE upgrade headrest monitor with PhoneLink & 10.1" capacitive touch screen, tailor-made for selected models

## Florence 910 HRM

- 10.1" Capacitive Touch Screen LCD
- 1024 x 600 Display Resolution
- Viewing Angle : 80° (Left / Right / Up / Down)
- Power Supply : 12V DC
- Android 6.0
- 1G RAM, 8G Flash
- Support MPEG/MP3/WMA, AVI/MKV/MP4/MOV/FLAC, JPG/BMP
- Built-in Wi-Fi
- Built-in Speaker
- Built-in FM/Bluetooth transmitter
- Phonelink Via Personal Hotspot
- 1 x 3.5mm Headphone Jack
- 1 x A/V Input
- 1 x Micro SD (Up to 64gb, not included)
- 1 x USB (Up to 128gb, not included)
- Current : Max. 800MA
- Operating Temperature : -10°C ~ 60°C
- Storage Temperature : -10°C ~70°C

## Function Diagram

1. Reset button
2. 3.5mm headphone jack
3. USB port
4. Micro SD port
5. AV input
6. Headrest release button
7. Speaker
8. Power button

# Installation

---

Make sure vehicle has built in monitor slot behind the seat.  
See Exhibit 1.

Carefully insert/remove the device into/from the slot to assemble.  
See Exhibit 2.

Press Headrest Release Button to the device from the slot.  
See Exhibit 3.

**Exhibit 1**  
**MONITOR SLOT**



**Exhibit 2**  
**ASSEMBLE & DISSEMBLE**



**Exhibit 3**  
**HEADREST RELEASE BUTTON**



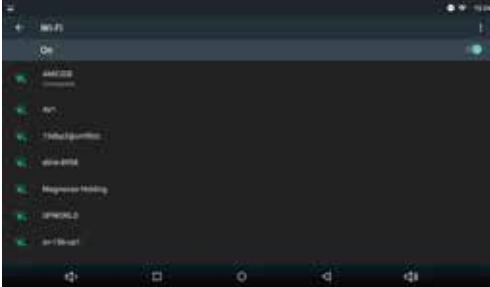
# Operation

---

## Wi-Fi

Go to SETTING to activate or deactivate the Wi-Fi feature to connect to a Wi-Fi network and access the internet or other network devices.

Disclaimer : The WLAN can be operated at indoors only without restrictions.



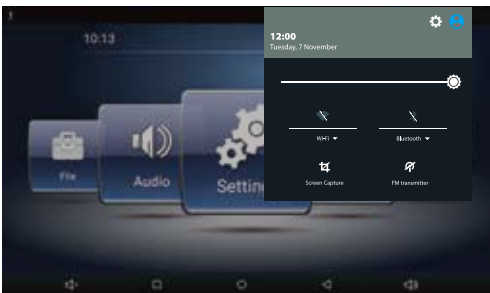
## Bluetooth

Go to SETTING to activate or deactivate the Bluetooth feature to pair with headphones.



## ScreenShot

Go to SETTING to activate or deactivate ScreenShot function by allowing the ScreenShot button to appear on the status bar.



# Operation

---

## BackUp & Reset

Go to SETTING to Backup or reset device. Set backup account on the device before resetting the device.

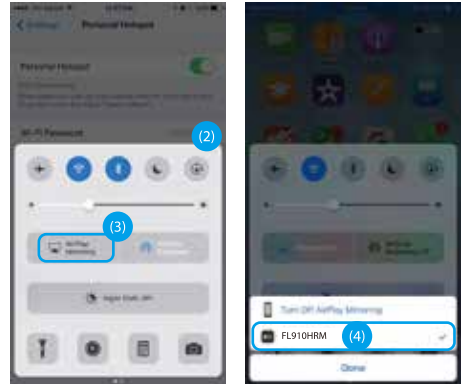


# Operation


## Phonelink for

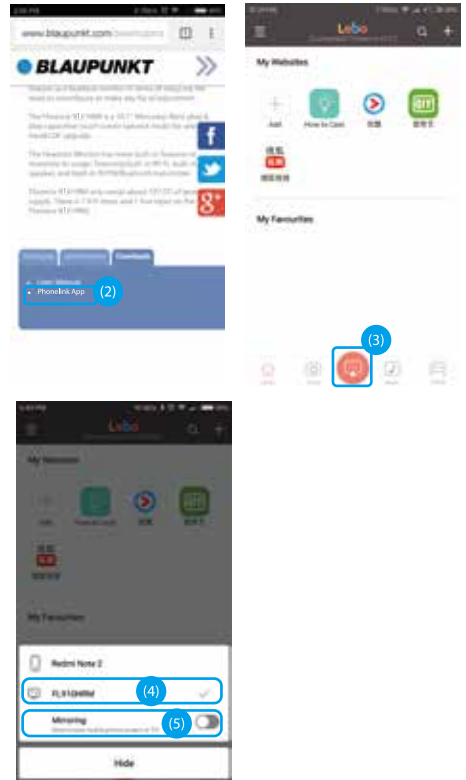
### iOS Smartphone :

- (1) Go to Settings to turn on personal hotspot, and connect Florence 910 HRM with smartphone's hotspot.
- (2) Once it is connected, slide up from bottom from iPhone to open Control Center.
- (3) Select AirPlay Mirroring mode to search for "FL910HRM".
- (4) Select "FL910HRM" to begin with mirroring.



### Android Smartphone :

- (1) Turn on smartphone hotspot, then connect Florence 910 HRM with smartphone's hotspot.
- (2) Go to [www.blaupunkt.com/ase](http://www.blaupunkt.com/ase) to download PhoneLink App (HappyCast) into smartphone.
- (3) Next, launch smartphone HappyCast app and select [  ] to open mirrorlink panel.
- (4) Select "FL910HRM"
- (5) Enable "Mirroring" to begin mirroring.



## Video Format

---

Format	Supported
Video	ASF
	AVI
	DAT
	FLV
	MKV
	MOV
	MP4
	MPG
	RM
	RMVB
	VOB
	WMV
	3GP



## Audio Format

---

Format	Supported
Audio	AAC
	AC3
	AMR
	APE
	DTS
	MP3
	WAV
	WMA
	FLAC
	M4A

## Image Format

---

Format	Supported
Image	JPG
	JPEG
	BMP
	PNG



